

150 Dodd Street SE
Marietta, GA. 30060

Phone: 770-973-6251
Fax: 678-401-3854

Email: info@mgs4u.com
Website: www.mgs4u.com



Installation Guide

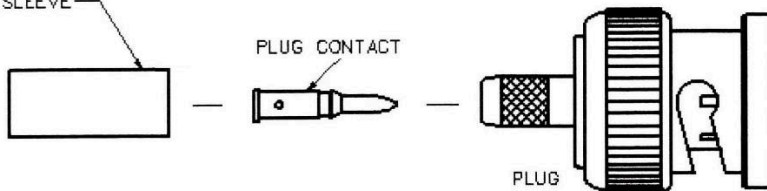
We will begin by installing the BNC crimp-on connector on a piece of coax. This process is the same for all the types of coaxial cable that fit this BNC crimp-on connector. These connectors fit on a wide range of coax types, including: RG-11, RG-213, RG-213/U, RG-393, RG-393/U, RG-8, RG-8/U, RG-8A, RG-83, LMR-400, LMR-400 Ultraflex, Belden 7810A, Belden 8216, Belden 83269, Belden 83284, Belden 84316, and other 0.39 and 0.405 Inch OD Coax.

Identify all connector parts (3 Parts):

Each connector consists of one body assembly (plug), one rear ferrule (crimp sleeve), and one center pin (plug contact).

Step 1

CRIMP SLEEVE

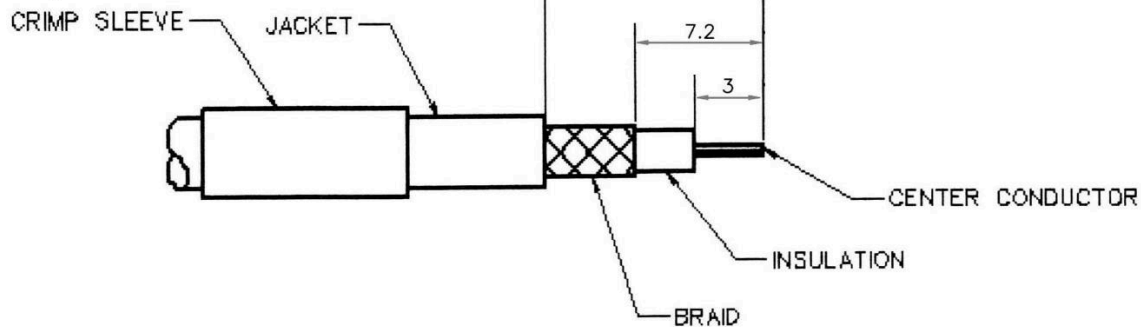


Coax Stripping:

First cut your coaxial cable to the desired length and then strip the black jacket back approximately 15mm (0.59"). When the jacket is stripped cut the braid/foil back 7.2mm (0.28") from the fresh cut end. Finally, cut back the dielectric 3mm (0.12") from the fresh end down to the center conductor. The braid needs to be cut back further than the dielectric to insure that none of the braid or foil is touching the center conductor which could cause a short.

Once the cable is prepped, make sure to put the ferrule (crimp sleeve) of the connector on the coaxial cable before you proceed.

Step 2



Crimping and Soldering Install:

Place the center pin onto the conductor of the coaxial cable.

Soldering Guide (preferred):

This soldering guide is for soldering Max-Gain Systems, Inc. BNC crimp-on connectors. These are approximate measurements for our BNC crimp-on connectors, which adhere to industry standards for this type connector. If you choose to use this guide for connectors sold by others who do NOT adhere to these standards, the measurements could be off and result in a poor installation.

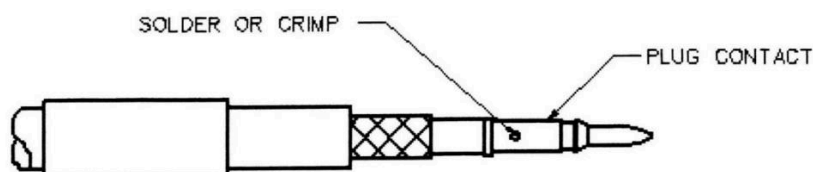
Now we begin soldering the center pin onto the center conductor of the coax.

Begin by applying heat to the center pin of the BNC connector with your soldering iron. Before proceeding, allow sufficient time for the soldering iron tip to reach full operating temperature and clean the tip of the iron by wiping it with a damp sponge. Place the soldering iron UNDER the center pin and, with the solder hole of the center pin facing up, apply the solder into the hole. The heat rises and heats up the pin faster. When the pin is heated the solder will start to flow into the pin. Allow sufficient solder to flow into the center pin to make a good connection, but not too much that it begins to leak out and potential start to melt the dielectric of the coax.

Crimping Guide:

Use the 0.128" hex die from your 7505-DIE-400 ratcheting crimper die to crimp the center pin above the small lip of the center pin right on top of the "solder hole". This crimp die is available by itself or as a kit with a ratcheting crimp handle.

Step 3

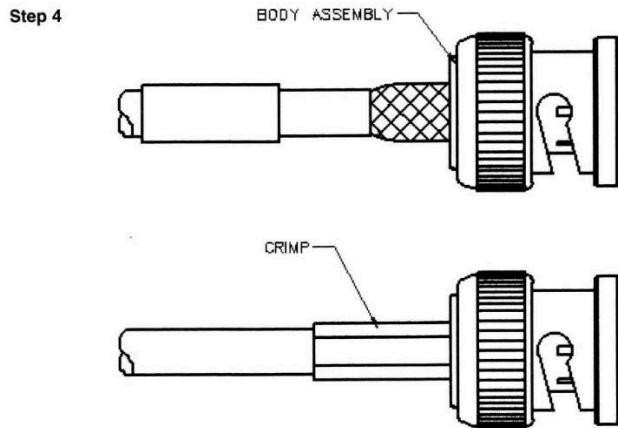


DIE Only	Die and Tool Kit
P/N: 7505-DIE-400	P/N: 7505-HANDLE-400
	

Crimping The Ferrule:

Install the cable assembly with the center pin already affixed, into the main body of the connector. The knurled portion of the main body slides under the braid of the coax. Push the cable assembly into the main body until the center pin snaps into place in the dielectric of the connector.

Slide the ferrule (placed on the coax at the beginning of Step 2) over the braid and completely up against the connector body. Using the 0.429 hex of the 7505-DIE-400 installed into the 7505-HANDLE ratcheting crimp handle, crimp the ferrule at the location shown in the picture below (on the ferrule, but right up against the main body of the connector).



Final Testing:

When this is completed, as a final test, you should always check resistance from the center pin to the body with an ohmmeter in a low resistance scale. After verifying that there are no braid – to – center pin shorts on the other end of the coaxial cable, you should see infinite resistance (open). This completes your BNC male crimp-on connector installation! Click the following link to obtain additional part information including price, inventory and certifications: <https://mgs4u.com/product/bnc-male-crimp-connector-for-0-405-inch-od-coax-7005-bnc-400/>