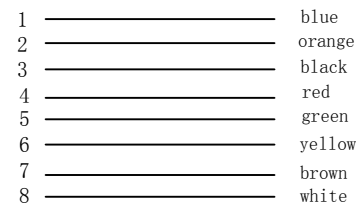
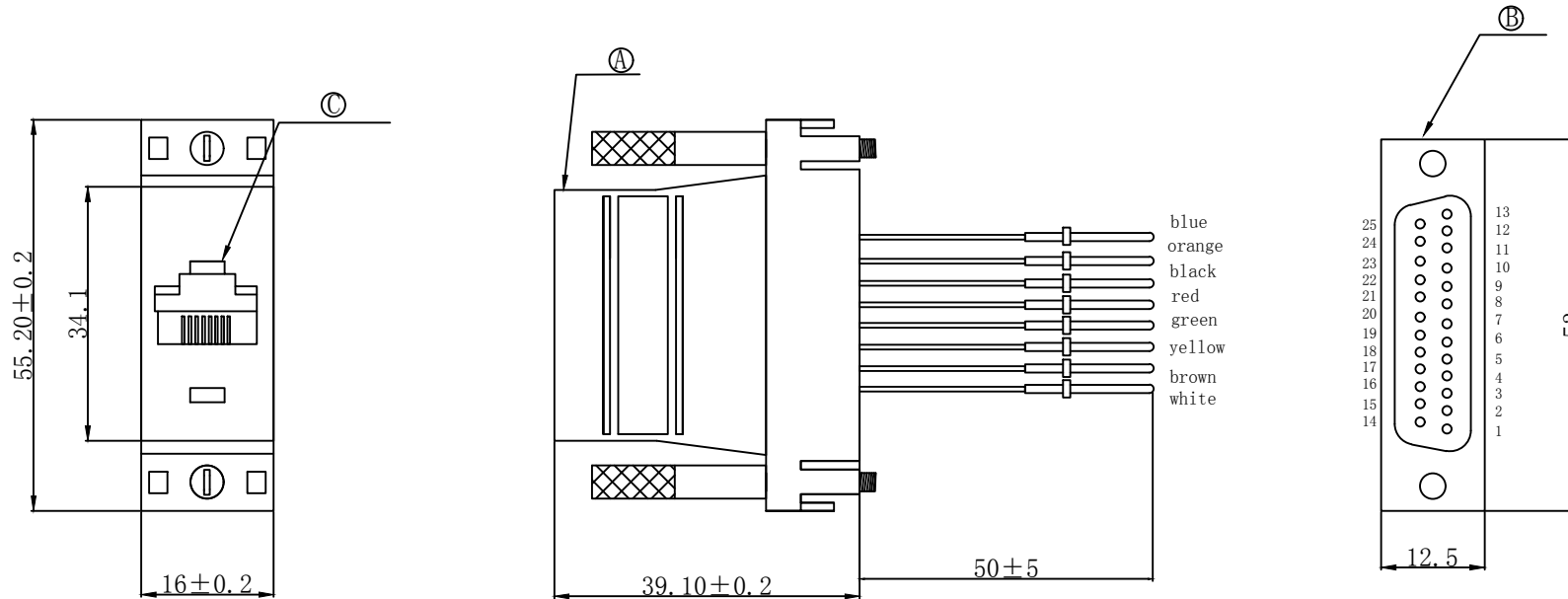


D-Sub Adapter, 25-Pin Plug to RJ45 Socket



NOTES:
ELECTRICAL CHARACTER:
 1.100% OPEN&SHORTTESTING.
 2.ROHS and REACH COMPLIANT.
 3. Where the tolerance is not indicated, the tolerance is +/- 0.2
 4.connector connection method: soldering.
 5.THIS PRODUCT INCLUDED THE RAW MATERIAL:

PE - ABS - PVC - Gold-plated copper
 nickel plated Iron shell

C	CONNECTOR 2	RJ45 Female	
B	CONNECTOR 1	DB25 Male	
A	HOUSING	ABS,color:Grey	
NO	ITEM	DESCRIPTION	COMPONENT

Art. Nr.

RND 205-00941