

Type	Order No.	A	B	C	D	E	F	G	H	I	K	L	Fig. No.	Remarks
CR 1216	6216 101 501	12.5	1.6	0.2	-	10.0	-	-	-	-	-	-	15	
CR 1220	6220 101 501	12.5	2.0	0.3	-	10.0	-	-	-	-	-	-	15	
CR 1616	6616 101 501	16.0	1.6	0.2	-	12.0	-	-	-	-	-	-	15	
CR 1620	6620 101 501	16.0	2.0	0.02	-	12.9	-	-	-	-	-	-	15	
CR 2016	6016 101 501	20.0	1.6	0.1	-	-	-	-	-	-	-	-	15	
CR 2016 SLF	6016 201 501	21.3	1.0	10.0 ±0.15	1.0 ±0.3	2.1 ±0.5	20.3 ±0.15	-	1.0 ±0.3	4.5	-	-	16	tag 0.25 mm
CR 2016 LF	6016 301 501	20.0	-	-	-	1.9	20.0	-	-	-	10.0	4.0	17	tag 0.15 mm
CR 2016 PCB	6016 401 501	20.0	1.0	10.0	9.1	1.6	17.8	7.3	10.0	4.5	11.4	-	18	tag 0.15 mm
CR 2016 SMT	6016 301 012	20.5	3.5	1.8	3.0	2.2	-	-	-	-	-	-		
CR 2025	6025 101 501	20.0	2.5	0.2	-	-	-	-	-	-	-	-	15	
CR 2025 SLF	6025 201 501	21.3	1.0	10.0 ±0.2	1.0 ±0.3	3.0 ±0.5	20.3 ±0.15	-	1.0 ±0.3	4.5	-	-	16	tag 0.25 mm
CR 2025 LF	6025 301 501	20.0	-	-	-	2.8	20.3	-	-	-	10.0	4.0	17	tag 0.15 mm
CR 2025 PCB	6025 401 501	20.0	1.0	10.0	10.0	2.5	17.8	7.3	10.0	4.5	11.4	-	18	tag 0.15 mm

TAB. 5.1
 Tag material: nickel plated sheet-steel. SLF: tip tinned.
 Custom made assemblies are available on request for large volume.

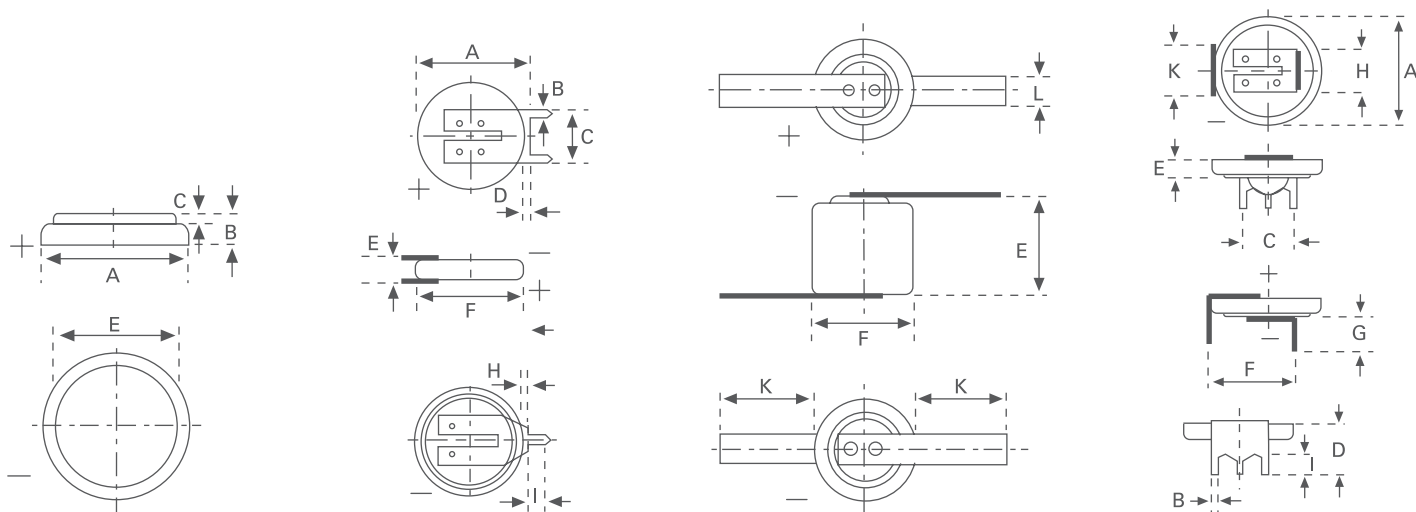


FIG. 15

FIG. 16 SLF

FIG. 17 LF

FIG. 18 PCB 3

Type	Order No.	A	B	C	D	E	F	G	H	I	K	L	Fig. No.	Remarks
CR 2032	6032 101 501	20.0	3.2	0.02	-	16.5	-	-	-	-	-	-	15	-
CR 2032 SLF	6032 201 501	21.5	1.0	10.0	1.0	4.2	20.3	-	1.0	4.5	-	-	16	tag 0.25 mm
CR 2032 LF	6032 301 501	-	-	-	-	3.2	20.3	-	-	-	10	4.0	17	tag 0.15 mm
CR 2032 PCB 3	6032 401 501	20.0	1.0	10.0	11.0	3.2	17.8	7.5	10.0	4.5	11.4	-	18	tag 0.25 mm
CR 2032 PCB 2	6032 701 501	20.0	1.0	-	11.0	3.2	17.8	7.3	10.0	4.5	10.0	-	19	tag 0.20 mm
CR 2032 WC ¹⁾	6032 101 013	20.7	-	-	-	5.5	30.0	-	-	-	96.0	2.0	20	tag 0.20 mm ²⁾
CR 2032 SMT	6032 301 012	20.0	7.0	2.8	5.0	3.8	-	-	-	-	-	-	21	-
<hr/>														
CR 2430	6430 101 501	24.5	3.0	0.3	-	20.0	-	-	-	-	-	-	15	-
CR 2430 SLF	6430 201 501	25.8	1.0	10.0	1.0	4.0	25.0	-	1.0	4.5	-	-	16	tag 0.25 mm
CR 2430 LF	6430 301 501	-	-	-	-	3.2	25.0	-	-	-	10.0	4.0	17	tag 0.15 mm
CR 2430 PCB 3	6430 401 501	24.5	1.0	10.0	11.0	3.0	17.8	7.5	10.0	4.5	11.4	-	18	tag 0.25 mm
CR 2430 PCB 2	6430 701 501	24.5	1.0	-	11.0	3.0	20.0	7.5	10.0	4.5	11.4	-	19	tag 0.20 mm
CR 2430 SMT	6430 301 012	24.5	5.2	4.0	5.0	3.3	-	-	-	-	-	-	21	-
<hr/>														
CR 2450	6450 101 501	24.7	5.0	0.5	-	21.8	-	-	-	-	-	-	15	-
CR 2450 SLF	6450 201 501	25.8	1.0	10.0	1.0	6.0	25.0	-	1.0	4.5	-	-	16	tag 0.25 mm
CR 2450 PCB 3	6450 401 501	24.5	1.0	10.0	13.2	5.0	17.8	7.5	10.0	4.5	11.4	-	18	tag 0.25 mm
CR 2450 PCB 2	6450 701 501	24.7	1.0	-	12.7	5.0	17.8	7.5	10.0	4.5	11.4	-	19	tag 0.20 mm
CR 2450 SMT	6450 301 012	24.5	4.5	2.8	3.5	5.3	-	-	-	-	-	-	21	-

TAB. 5.2

Tag material: nickel plated sheet-steel. SLF: tip tinned.

¹⁾ using Molex 51021-03 connector (Other wire connectors and wire length are available on request.) ²⁾ in shrink sleeve with wire and connector

Custom made assemblies are available on request for large volume.

