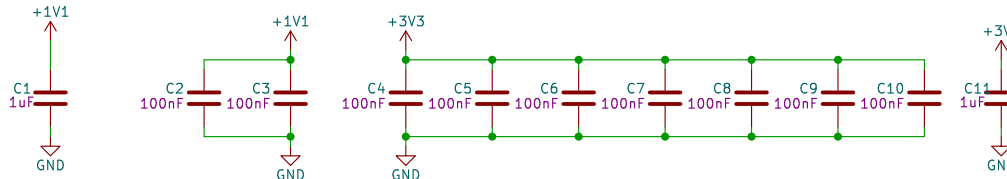
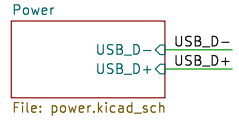
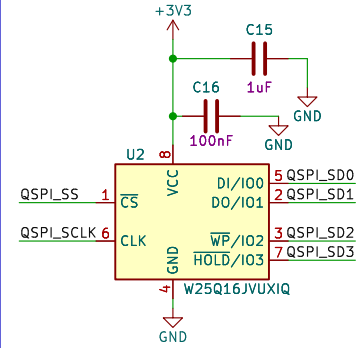


POWER

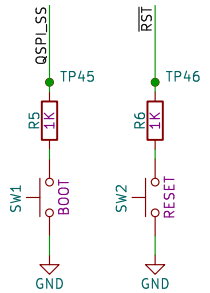


*one capacitor for each VDD pin

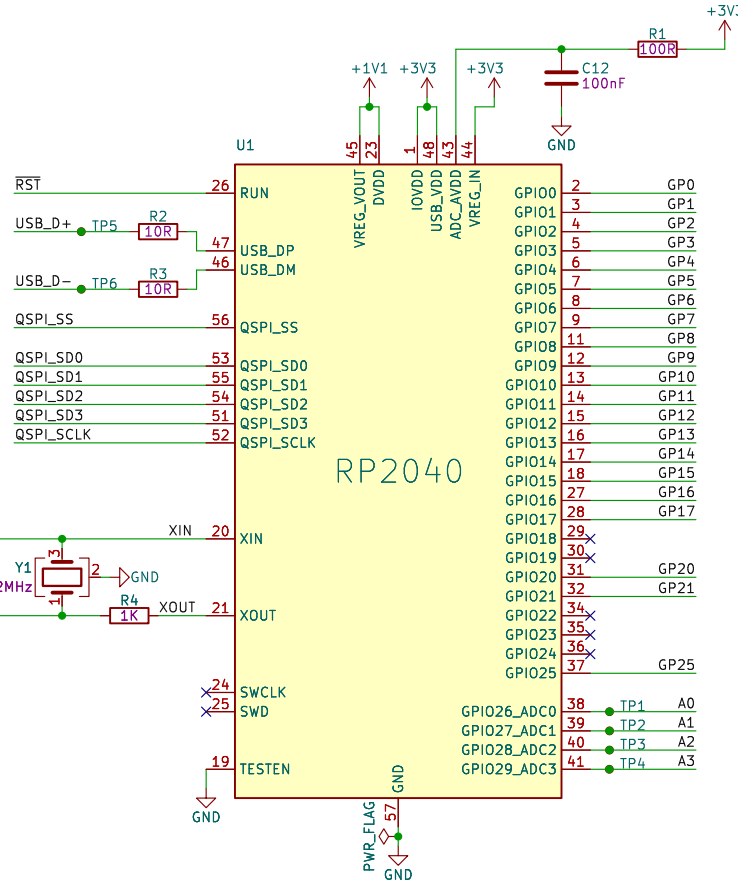
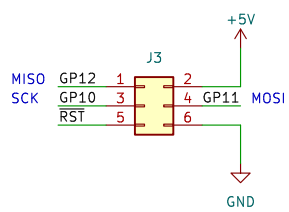
FLASH MEMORY



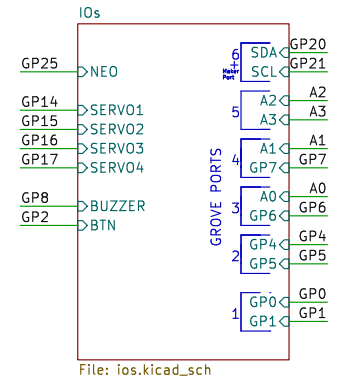
BOOT AND RESET BUTTON



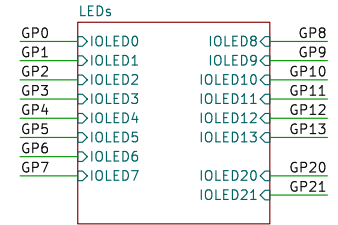
SPI HEADER



IOs

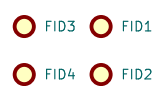
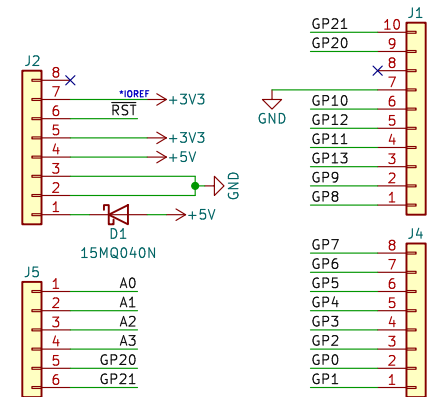


File: ios.kicad_sch



File: leds.kicad_sch

HEADER PINOUT



Sheet: /
File: maker-uno-rp2040.kicad_sch

Title:

Size: User

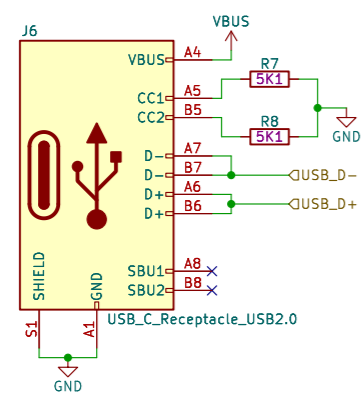
Date:

KiCad E.D.A. eeschema 7.0.8

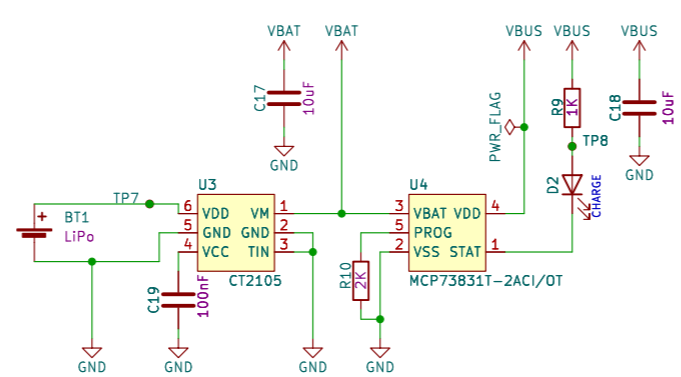
Rev:

Id: 1/4

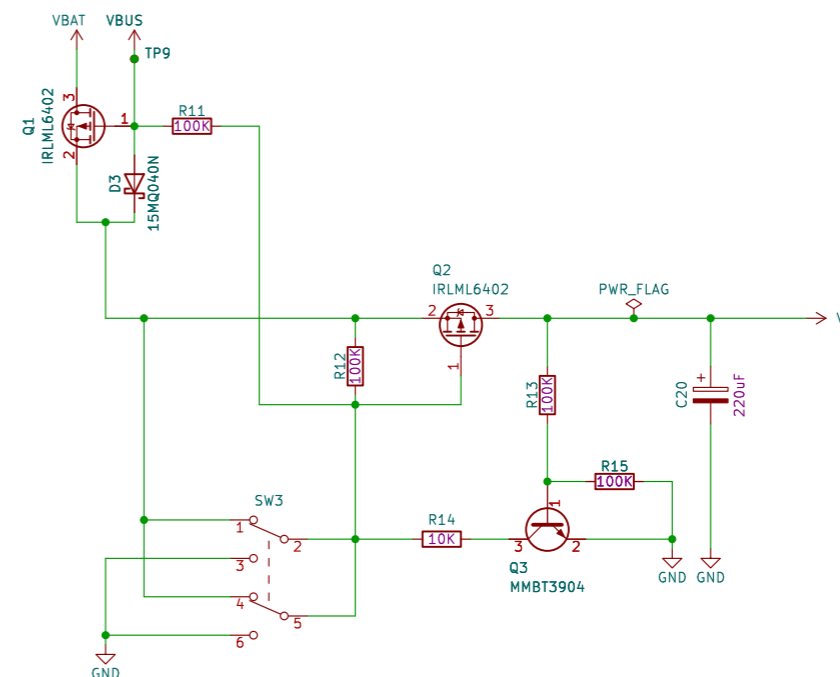
USB CONNECTOR



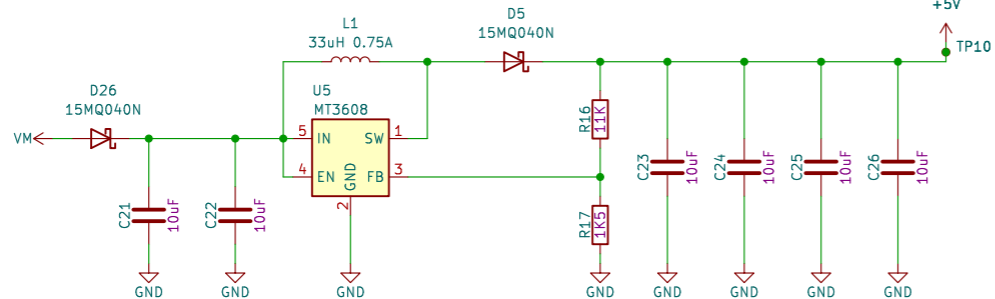
LIPO CHARGER AND PROTECTION



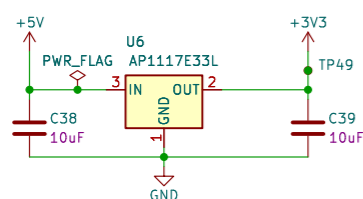
POWER SELECTION AND ON/OFF SWITCH



5V BOOST REGULATOR



3.3V VOLTAGE REGULATOR



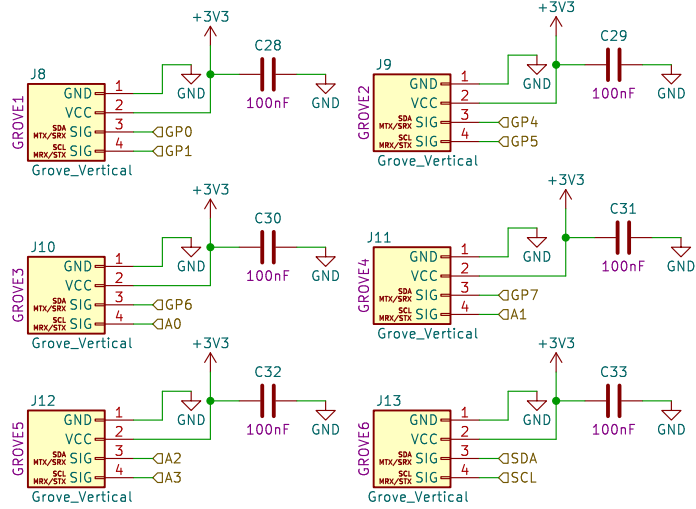
Sheet: /Power/
 File: power.kicad_sch

Title:

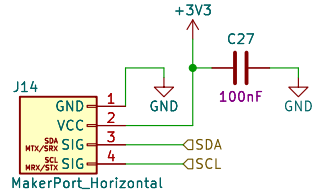
Size: A3 Date:
 KiCad E.D.A. eeschema 7.0.8

Rev:
 Id: 2/4

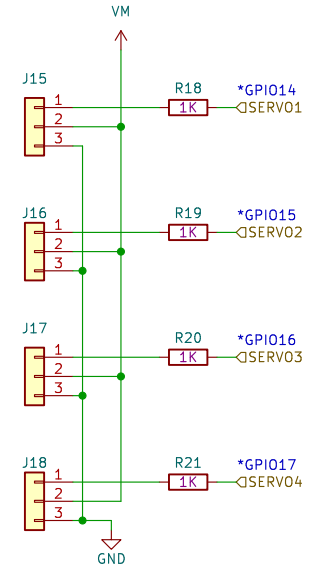
GROVE PORTS



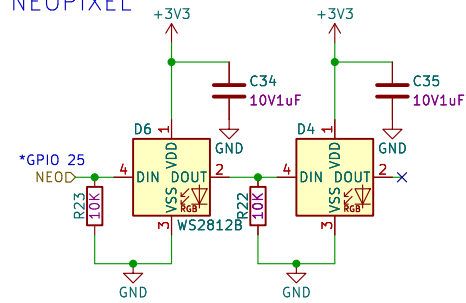
MAKER PORT



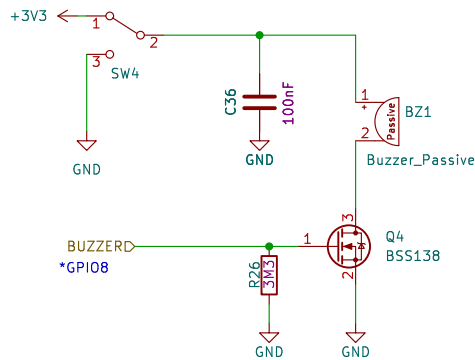
SERVO



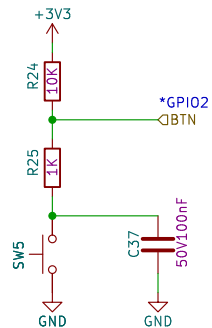
NEOPIXEL



BUZZER WITH ON/OFF SWITCH



PROGRAMMABLE BUTTON



Sheet: /IOs/
File: ios.kicad_sch

Title:

Size: A4

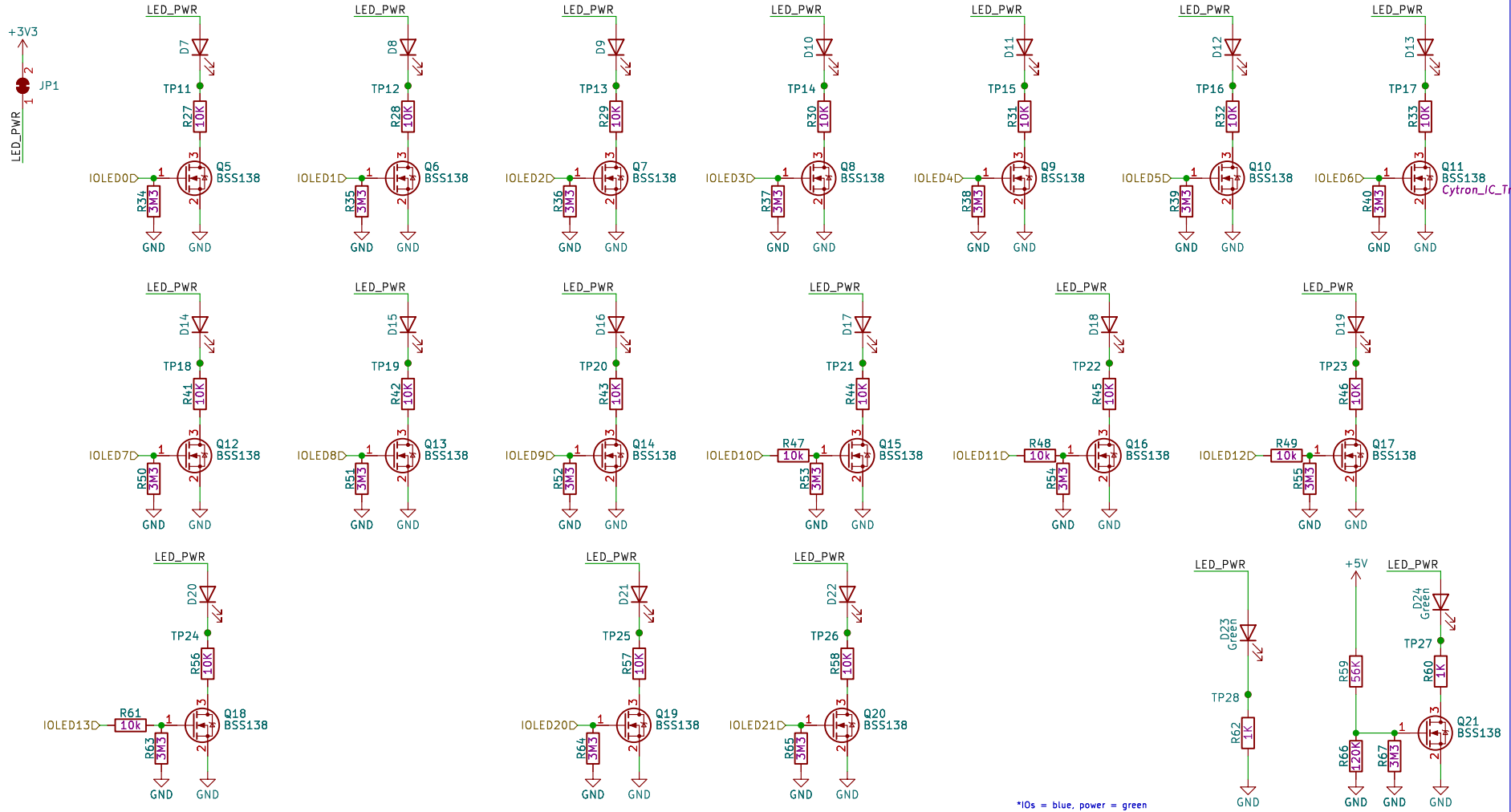
Date:

KiCad E.D.A. eeschema 7.0.8

Rev:

Id: 3/4

INDICATOR LEDs *except PWR and CHARGE



Cytron_IC_Transistor:SOT-23

Sheet: /LEDs/
File: leds.kicad_sch

Title:

Size: A4 Date:
KiCad E.D.A. eeschema 7.0.8

Rev:
Id: 4/4