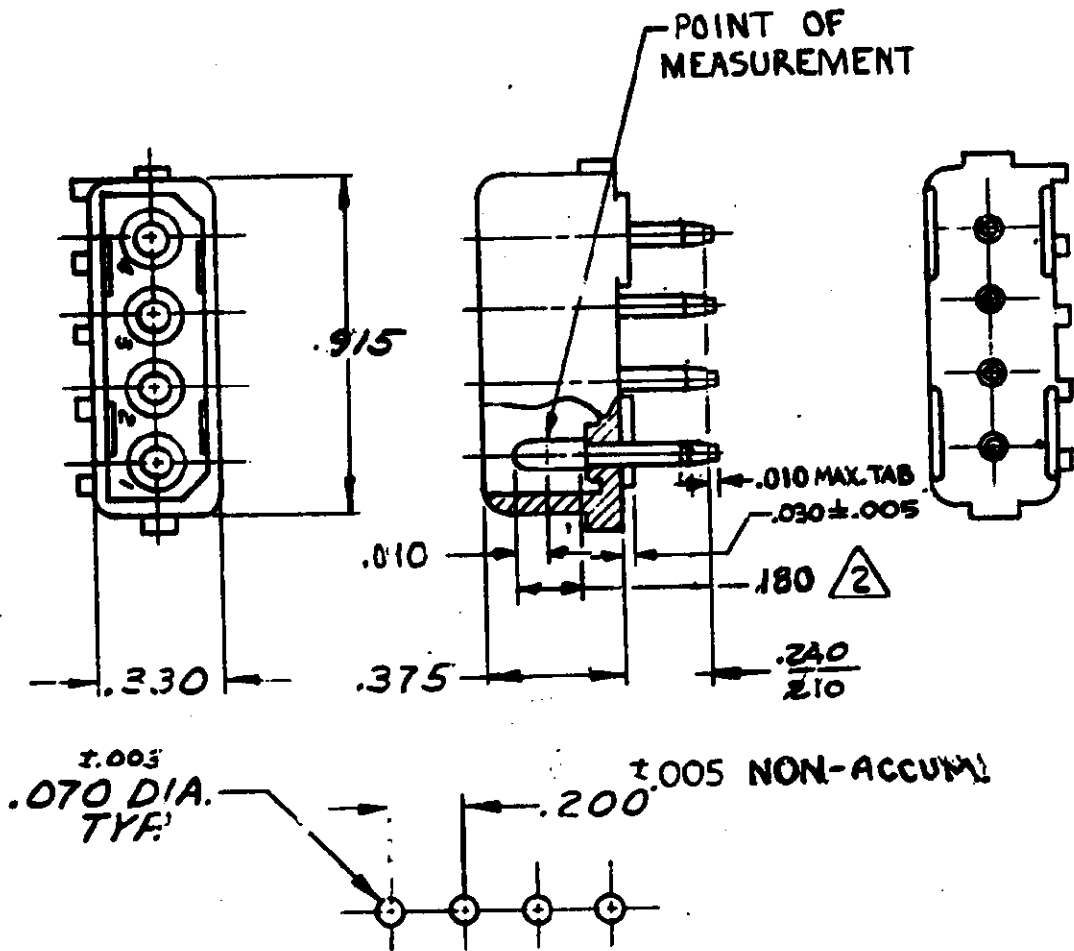


S



RECOMMENDED LAYOUT FOR  
.125 THICK P.C. BOARD

1. PARTS COMPLY WITH TE SOLDERABILITY

SPEC. NO. 109-11-3

2 CONTACT IS PLATED OVERALL WITH .000050 NICKEL, THEN .000030 GOLD OVER CONTACT LENGTH INDICATED AND TIN PLATED ON SOLDER TAIL END.

OBSOLETE

9-350424-2	NYLON - BLACK	COPPER ALLOY - GOLD	2
8-350424-2	- GRAY	-	-
7-350424-2	- VIOLET	-	-
6-350424-2	- BLUE	-	-
5-350424-2	- GREEN	-	-
4-350424-2	- YELLOW	-	-
3-350424-2	- ORANGE	-	-
2-350424-2	- RED	-	-
1-350424-2	- BROWN	-	-
<del>350424-2</del>	- NATURAL	- GOLD	2
9-350424-1	- BLACK	- PRE-TIN	-
8-350424-1	- GRAY	-	-
7-350424-1	- VIOLET	-	-
6-350424-1	- BLUE	-	-
5-350424-1	- GREEN	-	-
4-350424-1	- YELLOW	-	-
3-350424-1	- ORANGE	-	-
2-350424-1	- RED	-	-
1-350424-1	- BROWN	-	-
350424-1	NYLON - NATURAL	COPPER ALLOY - PRE-TIN	-
ASSEMBLY NO.	HSG. MATL & COLOR.	PIN MATL & FINISH	

DIMENSIONS IN INCHES. DO NOT SCALE PRINT.

9. 6-27-73  
6-28-73

MATERIAL AND FINISH  
SEE TABLE

WIRE - RANGE - INSULATION  
TYPE

TE Connectivity

CLASS #

TYPE #

SCALE #

NO. 350424

NAME 4 CIRCUIT MATE-N-LOK P.C. BOARD PIN HEADER

K3	REVISED PER ECR-15-006702	NK	PQ	29/JUL/2017
LTB	REVISION RECORD	DR	CHK	DATE