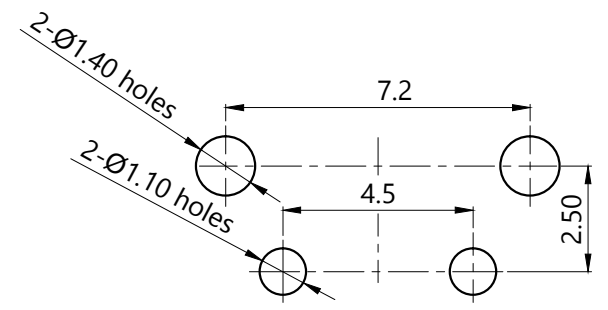
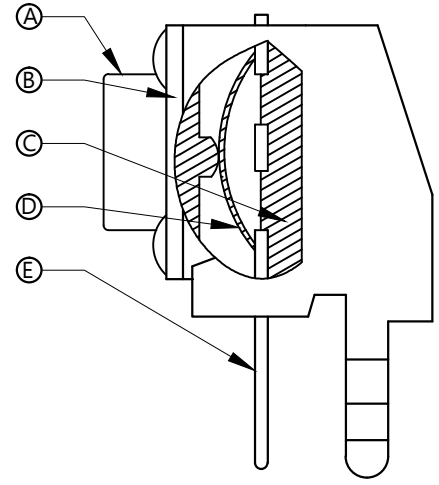
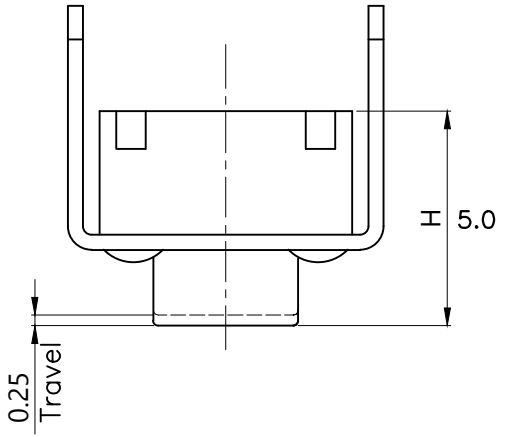
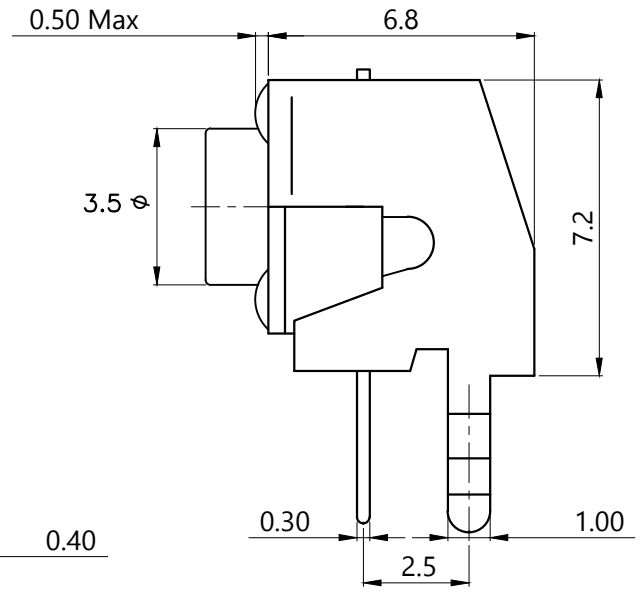
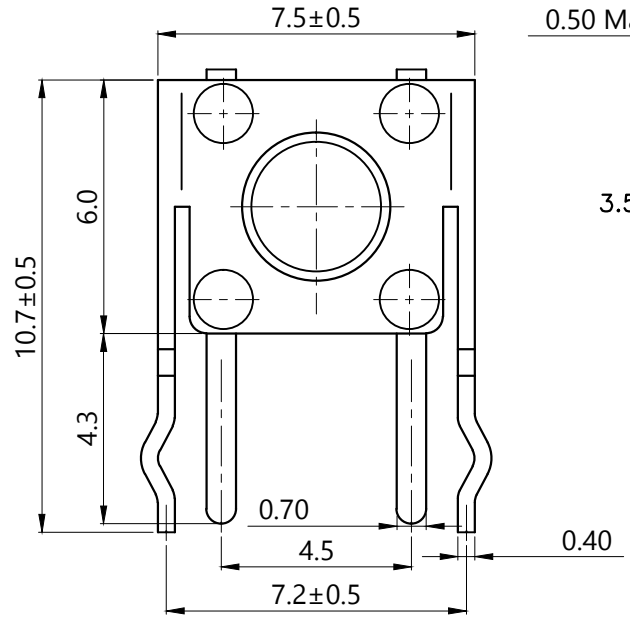


Circuit Diagram



PCB Layout(Pattern side)



OPERATING FORCE
250±30gf

(E)	Terminal		2	Brass	Silvering
(D)	Contact		1	Phosphorus copper	Silver covered
(C)	Base		1	PPA	Black
(B)	Cover		1	SPCC	Nickel Plating
(A)	Knob		1	PPA	Black
NO.	Name	Number	Qty	Materil	Remarks

					angle	±2'			design	date			TACT SWITCHS		
					10~30	±0.30			Review	date					
					5~10	±0.20			Approved	date					
					~ 5	±0.10			Drawing number: TS-1093C-A□B□-D□						
					modify	Review	Approved	Tolerance not specified	Proportion	1:1	unit	mm	gape number		