

Fuse Holder

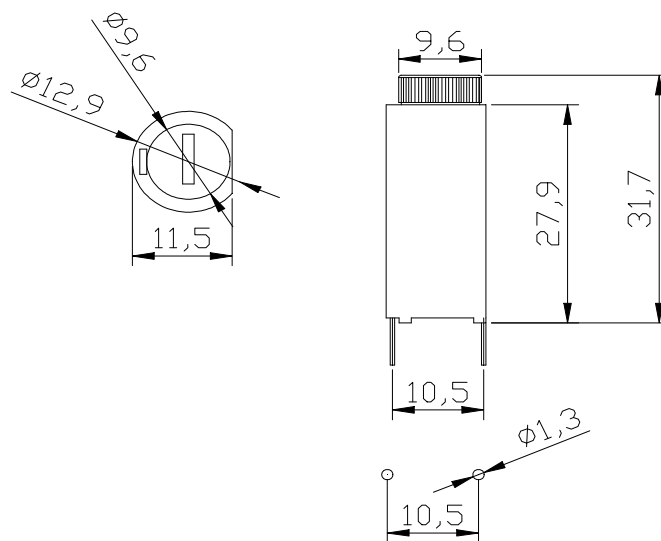


SPECIFICATION:

Case material	PBT
Colour	Black
Fuse size	$\varnothing 5 \times 20 \text{ mm}$
Insulation resistance	DC 500V 100M Ω Min
Rated current	10 A
Rated voltage	250 VAC
Voltage breakdown	AC 1500V 1 minute
Terminal	Brass plated tin

Art. Nr.

RND 170-00184



Mounting hole size