



150 Dodd Street SE  
Marietta, GA. 30060

**Phone:** 770-973-6251  
**Fax:** 678-401-3854

**Email:** [info@mgs4u.com](mailto:info@mgs4u.com)  
**Website:** [www.mgs4u.com](http://www.mgs4u.com)

BNC male, Crimp-On, Cable End Connector for RG-11, RG-213, RG-213/U, RG-393, RG-393/U, RG-8, RG-8/U, RG-8A, RG-83, LMR-400, LMR-400 Ultraflex, Belden 7810A, Belden 8216, Belden 83269, Belden 83284, Belden 84316, and other 0.390 and 0.405 Inch OD Coax.



## Technical Data Sheet

This BNC Male Crimp Connector is one of several thousand RF products available from Max-Gain Systems, Inc. This connector has a crimp on interface with the coax selected.

This connector is made from a Solid Brass body that is precision machined and plated with Silver for superior performance and value. This BNC Male Crimp Connector has a PTFE dielectric and a gold plated brass center pin. The BNC male interface accepts the BNC female tabs or “bayonets” for quick and reliable connections and disconnections. This RF connector fits (but not limited to) RG-11, RG-213, RG-213/U, RG-393, RG-393/U, RG-8, RG-8/U, RG-8A, RG-83, LMR-400, LMR-400 Ultraflex, Belden 7810A, Belden 8216, Belden 83269, Belden 83284, Belden 84316, and other 0.39 and 0.405 Inch OD Coax.

## Material Specifications

BNC Male Crimp Connector for 0.405 Inch OD Coax		Part Number 7005-BNC-400
Description	Material	Plating
Ferrule	Brass	Silver
Pin	Brass	Gold
Shell	Brass	Silver
Spring	SK-5	Silver
C Ring	Steel	Silver
Washer	Steel	Silver
Gasket	Rubber	Red
Insulator	PTFE	White
Body	Brass	Silver

## Mechanical Specifications

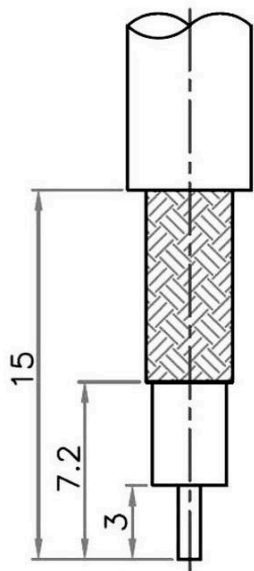
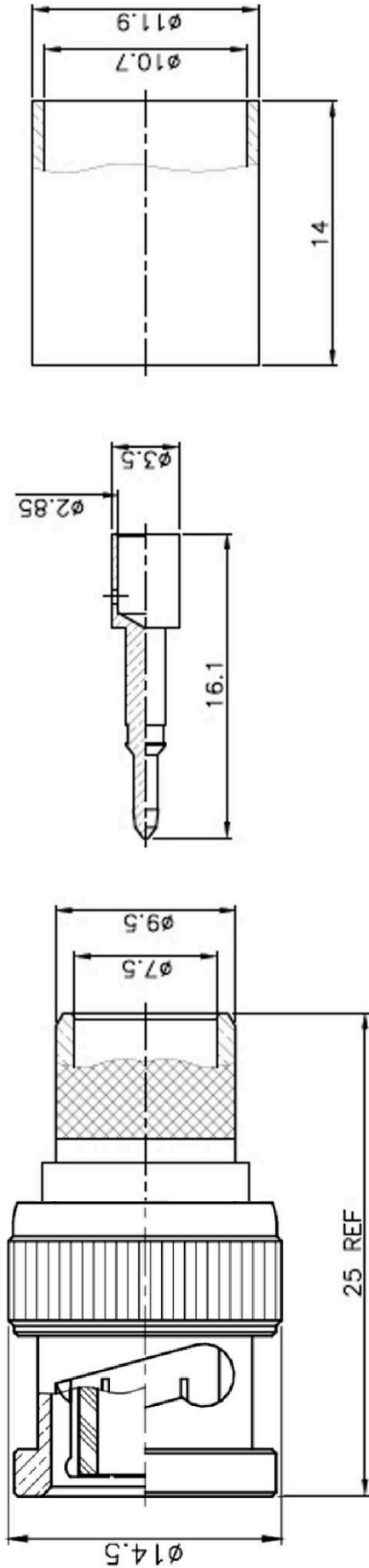
Size	Dimension
Length	1.129 in (28.7 mm)
Width	0.57 in (14.5 mm)
Height	0.57 in (14.5 mm)
Weight	0.3 oz (10 g)

## Environmental Specifications

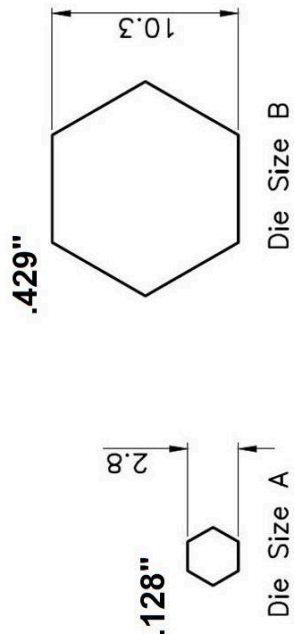
Temperature	Spec
Operating Range	-65 to +165 deg C

## Compliance Certifications (see product page for current documentation)

**Availability** Click the following link (or enter part number in the “SEARCH” bar at the top of any page of the website) to obtain additional part information including price, inventory and certifications: <https://mgs4u.com/product/bnc-male-crimp-connector-for-0-405-inch-od-coax-7005-bnc-400/>



RECOMMENDED  
CABLE STRIPPING DIM'S



NO.	DESCRIPTION	MATERIAL	FINISH	QTY
	FERRULE	BRASS	SILVER	1
	PIN	BRASS	GOLD	1
	SHELL	BRASS	SILVER	1
	WASHER	STEEL	SILVER	1
	SPRING	SK-5	SILVER	1
	C RING	STEEL	SILVER	1
	GASKET	RUBBER	RED	1
	INSULATOR	TEFLON	WHITE	1
	BODY	BRASS	SILVER	1
	NO. DESCRIPTION	MATERIAL	FINISH	QTY

UNLESS OTHERWISE SPECIFIED TOLERANCES	PART NO	DATE
0.5-5 = ±0.2	APPROVED	DATE
5-30 = ±0.4	CHECKED	DATE
30-120 = ±0.6	DRAWN	DATE
120-315 = ±1		
315-1000 = ±1.6		
1000-2000 = ±2.4		

UNIT: mm  
SCALE: .

**MGS** MAX-GAIN SYSTEMS, INC.

Max-Gain Systems, Inc.  
150 Dodd Street SE, Marietta, GA. 30060  
Phone: (770) 973-6251 | Fax: (678) 401-3854  
Website: www.mgs4u.com | E-Mail: sales@mgs4u.com

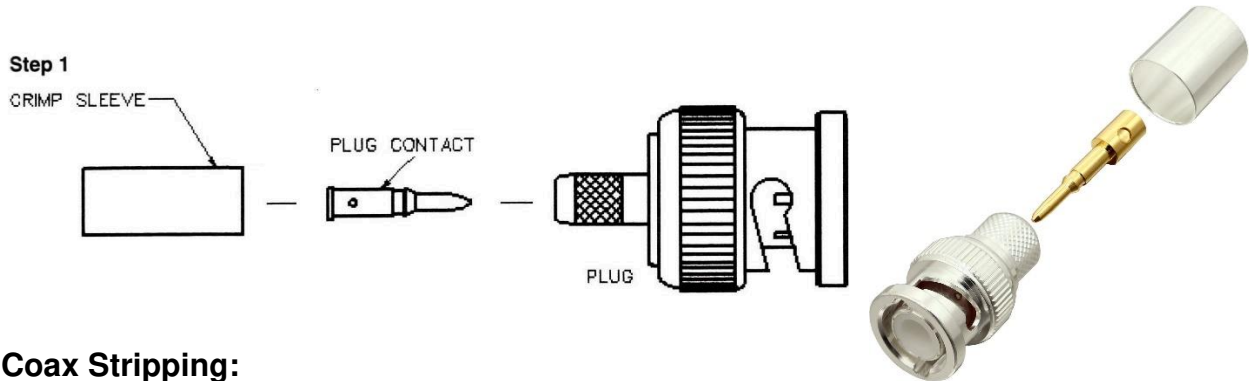
TITLE: BNC male Crimp Connector for  
0.405 Inch OD Coax  
DRAWING NO: 7005-BNC-400  
FILE NO :

# Installation Guide

We will begin by installing the BNC crimp-on connector on a piece of coax. This process is the same for all the types of coaxial cable that fit this BNC crimp-on connector. These connectors fit on a wide range of coax types, including: RG-11, RG-213, RG-213/U, RG-393, RG-393/U, RG-8, RG-8/U, RG-8A, RG-83, LMR-400, LMR-400 Ultraflex, Belden 7810A, Belden 8216, Belden 83269, Belden 83284, Belden 84316, and other 0.39 and 0.405 Inch OD Coax.

## Identify all connector parts (3 Parts):

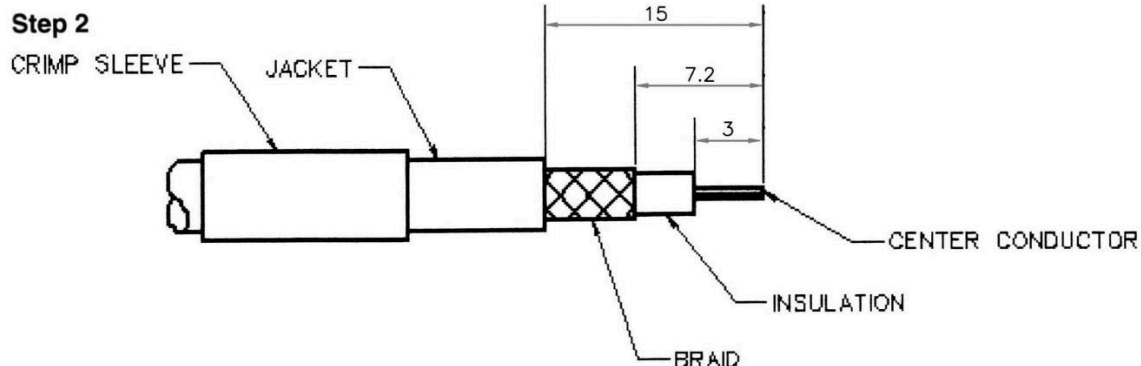
Each connector consists of one body assembly (plug), one rear ferrule (crimp sleeve), and one center pin (plug contact).



## Coax Stripping:

First cut your coaxial cable to the desired length and then strip the black jacket back approximately 15mm (0.59"). When the jacket is stripped cut the braid/foil back 7.2mm (0.28") from the fresh cut end. Finally, cut back the dielectric 3mm (0.12") from the fresh end down to the center conductor. The braid needs to be cut back further than the dielectric to insure that none of the braid or foil is touching the center conductor which could cause a short.

Once the cable is prepped, make sure to put the ferrule (crimp sleeve) of the connector on the coaxial cable before you proceed.



## Crimping and Soldering Install:

Place the center pin onto the conductor of the coaxial cable.

## Soldering Guide (preferred):

*This soldering guide is for soldering Max-Gain Systems, Inc. BNC crimp-on connectors. These are approximate measurements for our BNC crimp-on connectors, which adhere to industry standards for this type connector. If you choose to use this guide for connectors sold by others who do NOT adhere to these standards, the measurements could be off and result in a poor installation.*

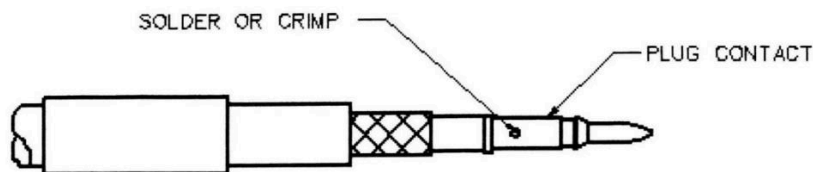
### Now we begin soldering the center pin onto the center conductor of the coax.

Begin by applying heat to the center pin of the BNC connector with your soldering iron. Before proceeding, allow sufficient time for the soldering iron tip to reach full operating temperature and clean the tip of the iron by wiping it with a damp sponge. Place the soldering iron UNDER the center pin and, with the solder hole of the center pin facing up, apply the solder into the hole. The heat rises and heats up the pin faster. When the pin is heated the solder will start to flow into the pin. Allow sufficient solder to flow into the center pin to make a good connection, but not too much that it begins to leak out and potential start to melt the dielectric of the coax.

## Crimping Guide:

Use the 0.128" hex die from your 7505-DIE-400 ratcheting crimper die to crimp the center pin above the small lip of the center pin right on top of the "solder hole". This crimp die is available by itself or as a kit with a ratcheting crimp handle.

Step 3



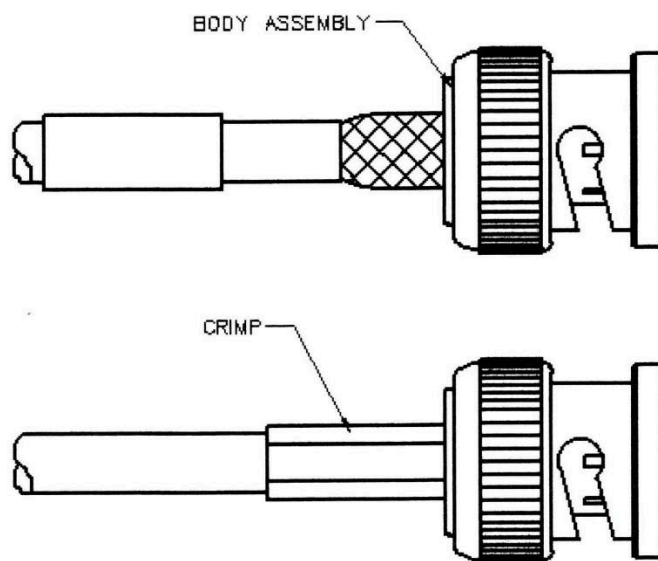
DIE Only	Die and Tool Kit
P/N: 7505-DIE-400	P/N: 7505-HANDLE-400
	

## Crimping The Ferrule:

Install the cable assembly with the center pin already affixed, into the main body of the connector. The knurled portion of the main body slides under the braid of the coax. Push the cable assembly into the main body until the center pin snaps into place in the dielectric of the connector.

Slide the ferrule (placed on the coax at the beginning of Step 2) over the braid and completely up against the connector body. Using the 0.429 hex of the 7505-DIE-400 installed into the 7505-HANDLE ratcheting crimp handle, crimp the ferrule at the location shown in the picture below (on the ferrule, but right up against the main body of the connector).

Step 4



## Final Testing:

When this is completed, as a final test, you should always check resistance from the center pin to the body with an ohmmeter in a low resistance scale. After verifying that there are no braid – to – center pin shorts on the other end of the coaxial cable, you should see infinite resistance (open). This completes your BNC male crimp-on connector installation, and the connector is ready for use!