

5413631-1 ✓ ACTIVE



TE Internal #: 5413631-1

RF Connectors, BNC RF Interface, Jack, 50 Ω , Bayonet, 4 GHz

Operating Frequency, Cable-to-Board, 1 Position, Printed Circuit

Board, Panel Mount

[View on TE.com >](#)

Connectors > RF Coax Connectors > RF Connectors > BNC Right Angle M Jack RF Connector, 50 Ohm, Bayonet Coupling Mechanism



RF Interface: **BNC**

RF Connector Style: **Jack**

RF Connector Mated Outer Diameter (Approximate): **14.53 mm [.572 in]**

Impedance: **50 Ω**

RF Connector Coupling Mechanism: **Bayonet**

[All BNC Right Angle M Jack RF Connector, 50 Ohm, Bayonet Coupling Mechanism \(42\)](#)

Features

Product Type Features

RF Interface	BNC
RF Connector Style	Jack
Connector System	Cable-to-Board
Sealable	No
Connector & Contact Terminates To	Printed Circuit Board

Configuration Features

Number of Positions	1
PCB Mount Orientation	Right Angle
Number of Coaxial Contacts	1

Electrical Characteristics

Impedance	50 Ω
-----------	-------------

Body Features

Body Insulation	Without
-----------------	---------



Body Material	Zinc
---------------	------

Body Plating Material	Nickel
-----------------------	--------

Contact Features

RF Connector Center Contact Underplating Material	Copper, Nickel
---	----------------

	1270 μin
--	----------

RF Connector Center Contact Plating Material	Gold
--	------

RF Connector Center Contact Material	Beryllium Copper
--------------------------------------	------------------

Termination Features

Termination Method to Printed Circuit Board	Through Hole - Solder
---	-----------------------

Termination Post & Tail Length	4.34 mm[.17 in]
--------------------------------	-----------------

Mechanical Attachment

PCB Mount Retention	Without
---------------------	---------

RF Connector Coupling Mechanism	Bayonet
---------------------------------	---------

Connector Mounting Type	Panel Mount
-------------------------	-------------

RF Contact Captivation Method	Mechanical
-------------------------------	------------

Detent	With
--------	------

Dimensions

RF Connector Mated Outer Diameter (Approximate)	14.53 mm[.572 in]
---	-------------------

Profile Height from PCB	10.97 mm[.432 in]
-------------------------	-------------------

Usage Conditions

Operating Temperature Range	-55 – 85 °C[-67 – 185 °F]
-----------------------------	---------------------------

Operation/Application

Operating Frequency	4 GHz
---------------------	-------

Packaging Features

Packaging Method	Package
------------------	---------

Other

Grade	Commercial
-------	------------

Dielectric Material	Polymethylpentene
---------------------	-------------------

Product Compliance

[For compliance documentation, visit the product page on TE.com>](#)



EU RoHS Directive 2011/65/EU	Compliant with Exemptions
EU ELV Directive 2000/53/EC	Compliant with Exemptions
China RoHS 2 Directive MIIT Order No 32, 2016	Restricted Materials Above Threshold
EU REACH Regulation (EC) No. 1907/2006	<p>Current ECHA Candidate List: JAN 2022 (223)</p> <p>Candidate List Declared Against: JAN 2022 (223)</p> <p>SVHC > Threshold:</p> <p>Pb (.6% in Component Part)</p> <p>Article Safe Usage Statements: Do not eat, drink or smoke when using this product. Wash thoroughly after handling. Recycle if possible and dispose of the article by following all applicable governmental regulations relevant to your geographic location.</p>
Halogen Content	Low Bromine/Chlorine - Br and Cl < 900 ppm per homogenous material. Also BFR /CFR/PVC Free
Solder Process Capability	Wave solder capable to 265°C

Product Compliance Disclaimer

This information is provided based on reasonable inquiry of our suppliers and represents our current actual knowledge based on the information they provided. This information is subject to change. The part numbers that TE has identified as EU RoHS compliant have a maximum concentration of 0.1% by weight in homogenous materials for lead, hexavalent chromium, mercury, PBB, PBDE, DBP, BBP, DEHP, DIBP, and 0.01% for cadmium, or qualify for an exemption to these limits as defined in the Annexes of Directive 2011/65/EU (RoHS2). Finished electrical and electronic equipment products will be CE marked as required by Directive 2011/65/EU. Components may not be CE marked. Additionally, the part numbers that TE has identified as EU ELV compliant have a maximum concentration of 0.1% by weight in homogenous materials for lead, hexavalent chromium, and mercury, and 0.01% for cadmium, or qualify for an exemption to these limits as defined in the Annexes of Directive 2000/53/EC (ELV). Regarding the REACH Regulation, the information TE provides on SVHC in articles for this part number is based on the latest European Chemicals Agency (ECHA) 'Guidance on requirements for substances in articles' posted at this URL: <https://echa.europa.eu/guidance-documents/guidance-on-reach>

Compatible Parts

 <p>TE Part # CAT-076-BNCJKISG50 BNC RF Connector: Jack Assembly, Isolated Ground Protection, 50 Ohm</p>	 <p>TE Part # CAT-076-BNCJKSH50 BNC RF Connector: jack assembly - short, 50 Ohm, 4Ghz</p>	 <p>TE Part # 5-1634516-1 BNC RM BHJ Hex 50Ohm Nickel Pltd RG58C/U</p>	 <p>TE Part # 5413771-3 JACK BLKHD,COML BNC,HEX CRIMP</p>
---	--	---	--



Customers Also Bought





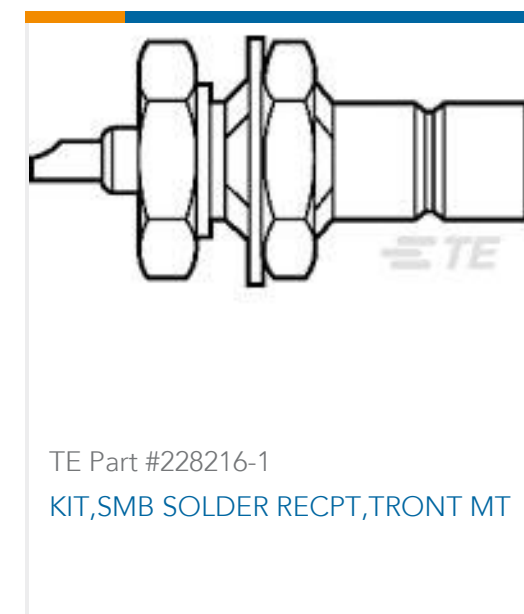
TE Part #4-2176349-1
CRGCO 2512 22K 1%



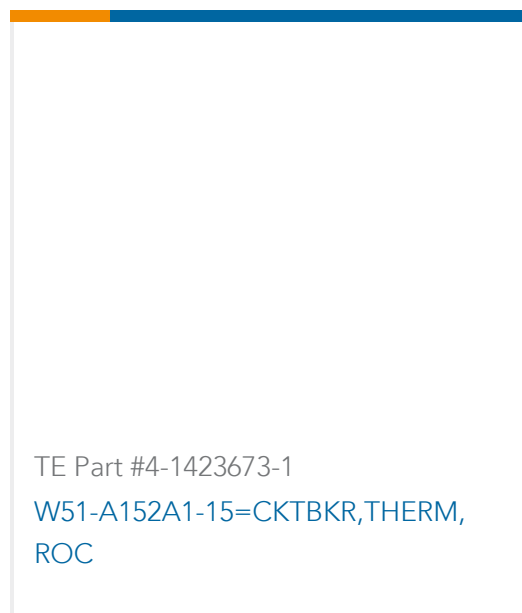
TE Part #4-2176349-7
CRGCO 2512 68K 1%



TE Part #3-794631-4
04P MICRO MNL ASSY,VRT,HDR LF



TE Part #228216-1
KIT,SMB SOLDER RECPT,TRONT MT



TE Part #4-1423673-1
W51-A152A1-15=CKTBKR,THERM,
ROC

Documents

Product Drawings

JACK,RTANG, PCB,50 OHM, BNC

English

CAD Files

3D PDF

3D

Customer View Model

[ENG_CVM_CVM_5413631-1_D.2d_dxf.zip](#)

English

Customer View Model

[ENG_CVM_CVM_5413631-1_D.3d_igs.zip](#)

English

Customer View Model

[ENG_CVM_CVM_5413631-1_D.3d_stp.zip](#)

English

By downloading the CAD file I accept and agree to the [Terms and Conditions](#) of use.

Datasheets & Catalog Pages

BNC Connectors

English

Product Specifications

Product Specification

English

Product Environmental Compliance

[MD_5413631-1_05142018125_dmtec](#)

5413631-1

RF Connectors, BNC RF Interface, Jack, 50 Ω , Bayonet, 4 GHz Operating Frequency,
Cable-to-Board, 1 Position, Printed Circuit Board, Panel Mount



English

[MD_5413631-1_05142018125_dmtec](#)

English