

Brushless DC Axial Fan

Features

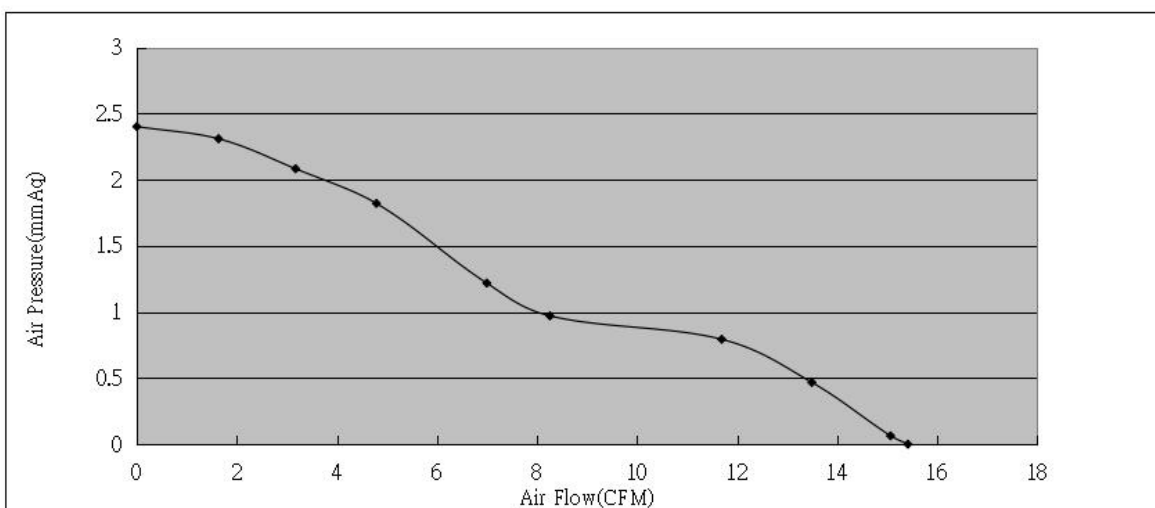
- Smooth and efficient air flow
- Impedance protected motor
- CycleSeal bearing system
- Ideal for industrial application



Specification

Dimensions	60 x 60 x 25 mm
Fan Frame	Black, PBT (UL94-V0)
Fan Impeller	Black, PBT (UL94-V0), 9 Blades
Bearing	CycleSeal Bearing
Rated Voltage	12 VDC
Operating Voltage Range	10.8 ... 13.2 VDC
Start-Up Voltage	7 VDC
Rated Current	90 mA (max. 140)
Label Current	140 mA
Rated Power	1.08 W (max. 1.68 W)
Rated Speed	3500 ± 600 rpm
Airflow	15.41 CFM (min.12.77)
Air Pressure	2.4 mmAq (min.1.65)
Noise Level	27.8 dBA (max. 31.3)
Lead Wire	UL 1430 / 24 AWG x 200 mm
Service Life	40000 hours @ 40°C

Performance Curve



Test Conditions: (1).Rated Voltage;(2).Room Temperature, 65% Humidity

Brushless DC Axial Fan



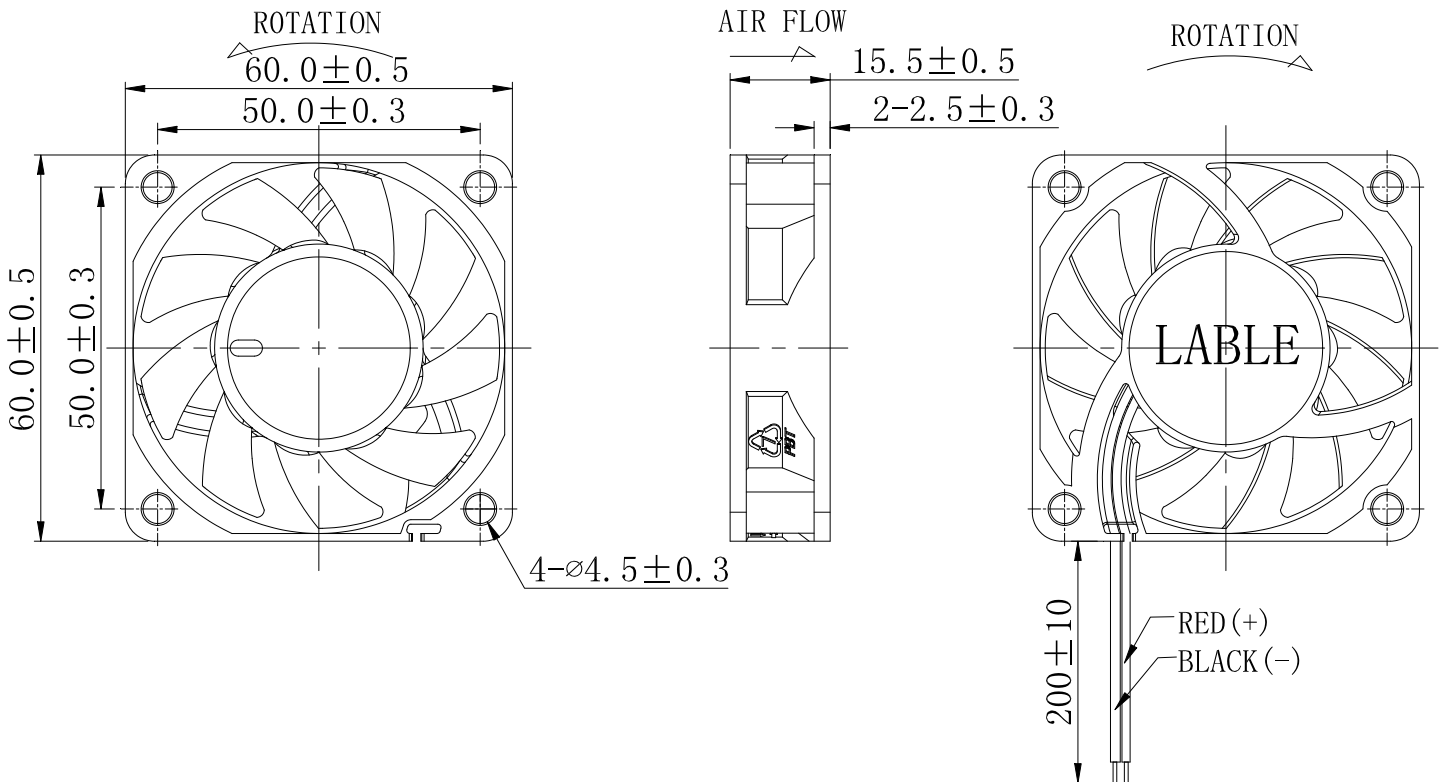
Environmental

Operating Temperature	-10 ... 70 °C
Storage Temperature	-40 ... 75 °C
Operating Humidity	35 ... 85%RH
Storage Humidity	35 ... 85%RH

Electrical Characteristics

Insulation Resistance	10 MOhm @ 500 VDC
Dielectric Strength	Max. 5 mA @ 500VAC/60Hz for 1 minute
Insulated Type	UL: Class A (105°C)

Drawing



Art Nr.
RND 460-00088