



150 Dodd Street SE
 Marietta, GA. 30060

Phone: 770-973-6251
Fax: 678-401-3854

Email: info@mgs4u.com
Website: www.mgs4u.com

Type N female Crimp On for LMR-195, LMR-200, RG-142, RG-142B/U, RG-141, RG-141A/U, RG-142A/U, RG-122/U, RG-400, RG-400/U, RG-58, RG-55, RG-55B/U, RG-55A/U, RG-58C/U, RG-223, RG-223/U, 0.195 Inch OD Coax



Technical Data Sheet

This Type N female Crimp Connector is one of several thousand RF products available from Max-Gain Systems, Inc. This connector has a crimp on interface with the coax selected.

This connector is made from a Solid Brass body that is precision machined and plated with Silver for superior performance and value. This Type N female Crimp Connector has a PTFE dielectric and a gold plated brass center pin. The Type N female interface accepts a Type N male which contains a gasket, for shock- / vibration- resistant and waterproof connections. This RF connector fits (but not limited to) LMR-195, LMR-200, RG-142, RG-142B/U, RG-141, RG-141A/U, RG-142A/U, RG-122/U, RG-400, RG-400/U, RG-58, RG-55, RG-55B/U, RG-55A/U, RG-58C/U, RG-223, RG-223/U, 0.195 Inch OD Coax.

Material Specifications

Type N female Crimp Connector for 0.195 Inch OD Coax **Part Number 7306-N-58**

| Description | Material | Plating |
|-------------|----------|---------|
| Ferrule | Brass | Silver |
| Pin | Brass | Gold |
| Insulator | PTFE | White |
| Body | Brass | Silver |

Mechanical Specifications

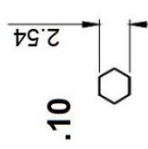
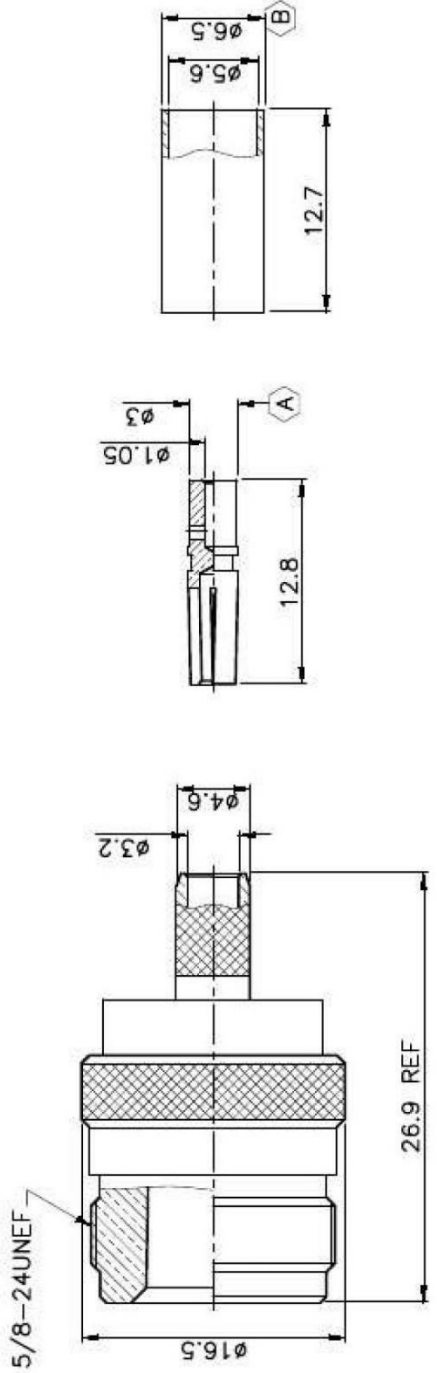
| Size | Dimension |
|--------|--------------------|
| Length | 1.129 in (28.7 mm) |
| Width | 0.57 in (14.5 mm) |
| Height | 0.57 in (14.5 mm) |
| Weight | 0.8 oz (22 g) |

Environmental Specifications

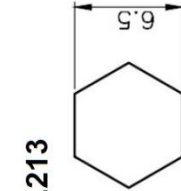
| Temperature | Spec |
|-----------------|-------------------|
| Operating Range | -65 to +165 deg C |

Compliance Certifications (see product page for current documentation)

Availability Click the following link (or enter part number in the “SEARCH” bar at the top of any page of the website) to obtain additional part information including price, inventory and certifications: <https://mgs4u.com/product/type-n-female-crimp-connector-for-0-195-inch-od-coax-7306-n-58/>

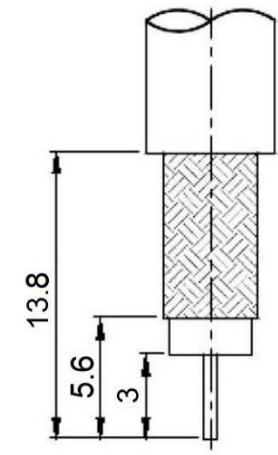


Die Size A



Die Size B

RECOMMENDED
CABLE STRIPPING DIM'S



Max-Gain Systems, Inc.
150 Dodd Street SE, Marietta, GA. 30060
Phone: (770) 973-6251 | Fax: (678) 401-3854
Website: www.mgs4u.com | E-Mail: sales@mgs4u.com

TITLE: Type N female Crimp On for RG-58, LMR-195
and other 0.195 Inch OD Coax

DRAWING NO: 7306-N-58
FILE NO :

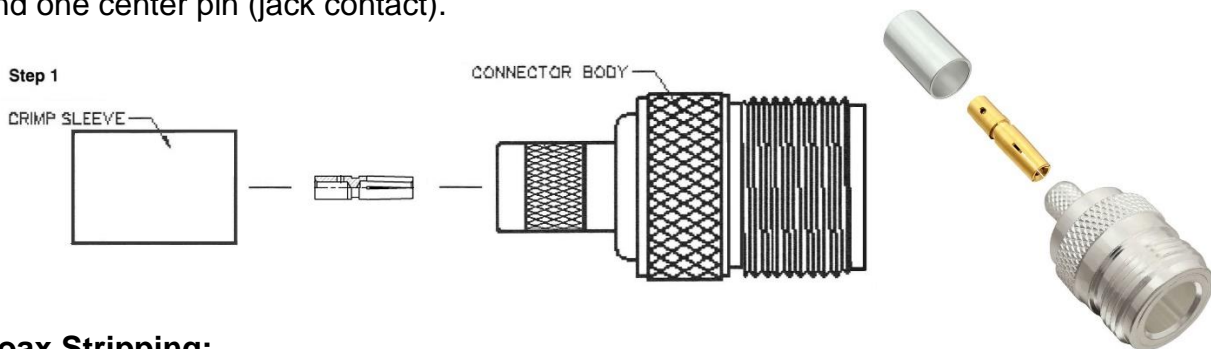
| NO. | DESCRIPTION | MATERIAL | FINISH | QTY | UNLESS OTHERWISE SPECIFIED TOLERANCES | |
|-----|-------------|----------|--------|-----|---------------------------------------|----------|
| | | | | | UNIT: mm | SCALE: . |
| | | | | | PART NO | DATE |
| | | | | | APPROVED | DATE |
| | | | | | CHECKED | DATE |
| | | | | | DRAWN | DATE |

Installation Guide

We will begin by installing the Type N female crimp-on connector on a piece of coax. This process is the same for all the types of coaxial cable that fit this Type N female crimp-on connector. These connectors fit on a wide range of coax types, including: LMR-195, LMR-200, RG-142, RG-142B/U, RG-141, RG-141A/U, RG-142A/U, RG-122/U, RG-400, RG-400/U, RG-58, RG-55, RG-55B/U, RG-55A/U, RG-58C/U, RG-223, RG-223/U, 0.195 Inch OD Coax.

Identify all connector parts (3 Parts):

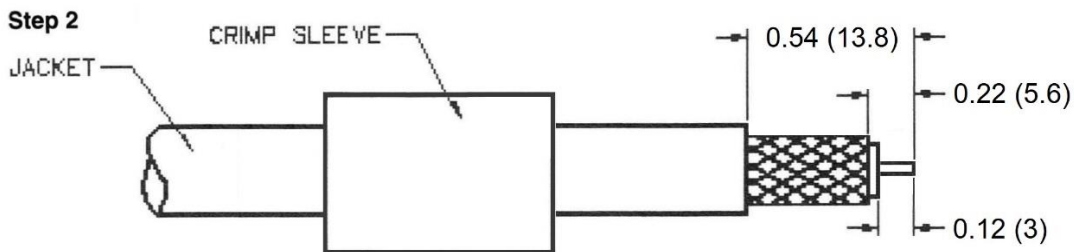
Each connector consists of one body assembly (jack), one rear ferrule (crimp sleeve), and one center pin (jack contact).



Coax Stripping:

First cut your coaxial cable to the desired length and then strip the black jacket back approximately 15mm (0.59"). When the jacket is stripped cut the braid/foil back 7.2mm (0.28") from the fresh cut end. Finally, cut back the dielectric 3mm (0.12") from the fresh end down to the center conductor. The braid needs to be cut back further than the dielectric to insure that none of the braid or foil is touching the center conductor which could cause a short.

Once the cable is prepped, make sure to put the ferrule (crimp sleeve) of the connector on the coaxial cable before you proceed.



Crimping and Soldering Install:

Place the center pin onto the conductor of the coaxial cable.

Soldering Guide (preferred):

This soldering guide is for soldering Max-Gain Systems, Inc. Type N crimp-on connectors. These are approximate measurements for our Type N crimp-on connectors, which adhere to industry standards for this type connector. If you choose to use this guide for connectors sold by others who do NOT adhere to these standards, the measurements could be off and result in a poor installation.

Now we begin soldering the center pin onto the center conductor of the coax.

Begin by applying heat to the center pin of the Type N connector with your soldering iron. Before proceeding, allow sufficient time for the soldering iron tip to reach full operating temperature and clean the tip of the iron by wiping it with a damp sponge. Place the soldering iron UNDER the center pin and, with the solder hole of the center pin facing up, apply the solder into the hole. The heat rises and heats up the pin faster. When the pin is heated the solder will start to flow into the pin. Allow sufficient solder to flow into the center pin to make a good connection, but not too much that it begins to leak out and potential start to melt the dielectric of the coax.

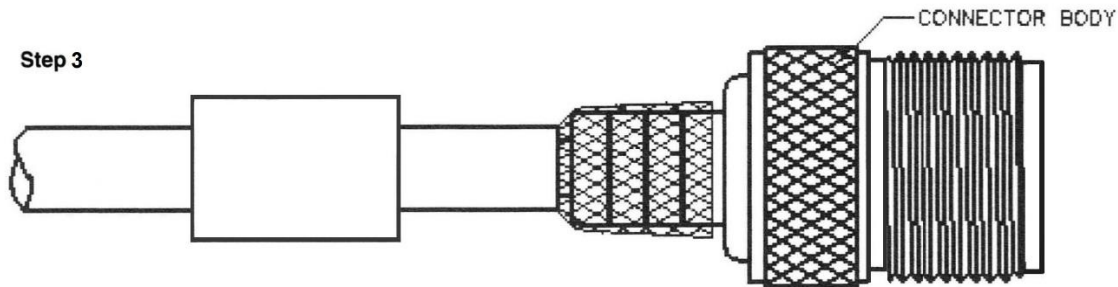
Crimping Guide:

Use the 0.10" hex die from your 7505-DIE-8X ratcheting crimper die to crimp the center pin above the small lip of the center pin right on top of the "solder hole". This crimp die is available by itself or as a kit with a ratcheting crimp handle.

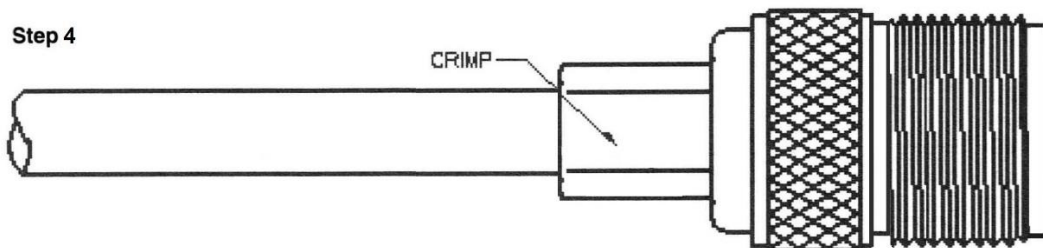
| DIE Only | Die and Tool Kit |
|---|--|
| P/N: 7505-DIE-8X | P/N: 7505-HANDLE-8X |
|  |  |

Crimping The Ferrule:

Install the cable assembly with the center pin already affixed, into the main body of the connector. The knurled portion of the main body slides under the braid of the coax. Push the cable assembly into the main body until the center pin snaps into place in the dielectric of the connector.



Slide the ferrule (crimp sleeve) forward and make sure it is in contact with the body assembly. Using the 0.213" hex die from the 7505-DIE-8X ratcheting crimper die to crimp the ferrule (crimp sleeve) right up next to the main body assembly. This crushes the metal sleeve around the braid and knurling to make it difficult for the connector to be removed. Trim any braid that extends out from crimp sleeve, against the body assembly, so not have any strays sticking out.



Final Testing:

When this is completed, as a final test, you should always check resistance from the center pin to the body with an ohmmeter in a low resistance scale. After verifying that there are no braid – to – center pin shorts on the other end of the coaxial cable, you should see infinite resistance (open). This completes your Type N female crimp-on connector installation, and the connector is ready for use!