



150 Dodd Street SE
Marietta, GA. 30060

Phone: 770-973-6251
Fax: 678-401-3854

Email: info@mgs4u.com
Website: www.mgs4u.com

SO-239, UHF female, 4-Hole Panel Mount Connector



Technical Data Sheet

This SO-239 or UHF Female 4-Hole Panel Mount Solder Connector is one of several thousand RF products available from Max-Gain Systems, Inc.

This connector is made from a Solid Brass body that is precision cast zinc body that is heavily plated with Silver for superior performance and value. Being cast the SO-239 can be produced in a way that there is no lip between the UHF female and the flange mount which makes installation easy. This SO-239 or UHF Female 4-Hole Panel Mount Solder Connector has a PTFE dielectric and a gold plated brass center pin. The UHF female interface has 16 "V's". This is to ensure a perfect seat of any UHF male (PL-259), to this connector, every time. This RF connector fits (but not limited to) RG-8, RG-11, RG-83, RG-213, RG-393, LMR-400, and other 0.405 Inch OD Coax. In order to fit smaller coax diameters, soldering is all that is needed.

7511-UHF

Material Specifications

| SO-239, UHF female, 4-Hole Panel Mount Connector | | Part Number 7511-UHF |
|--|----------|----------------------|
| Description | Material | Plating |
| Insulator | PTFE | White |
| Pin | Brass | Silver |
| Body | Zinc | Silver |

Mechanical Specifications

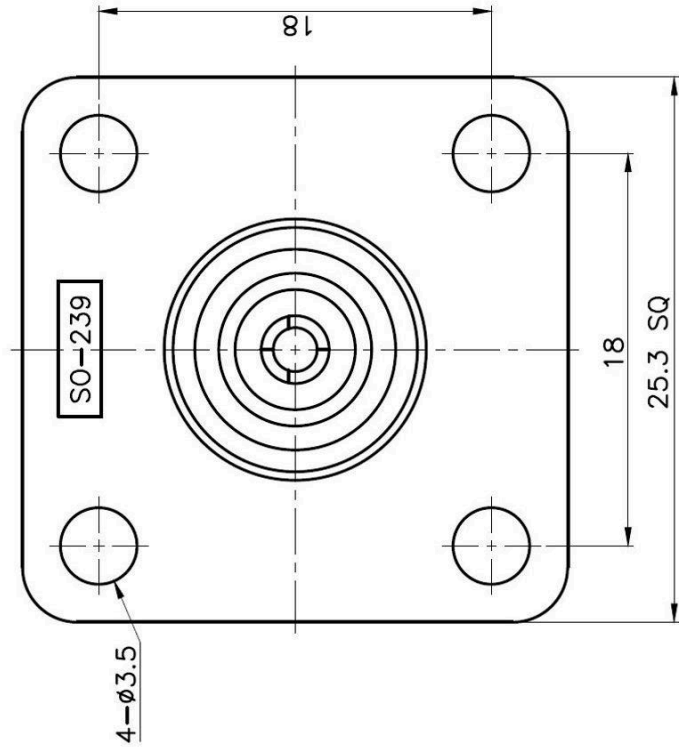
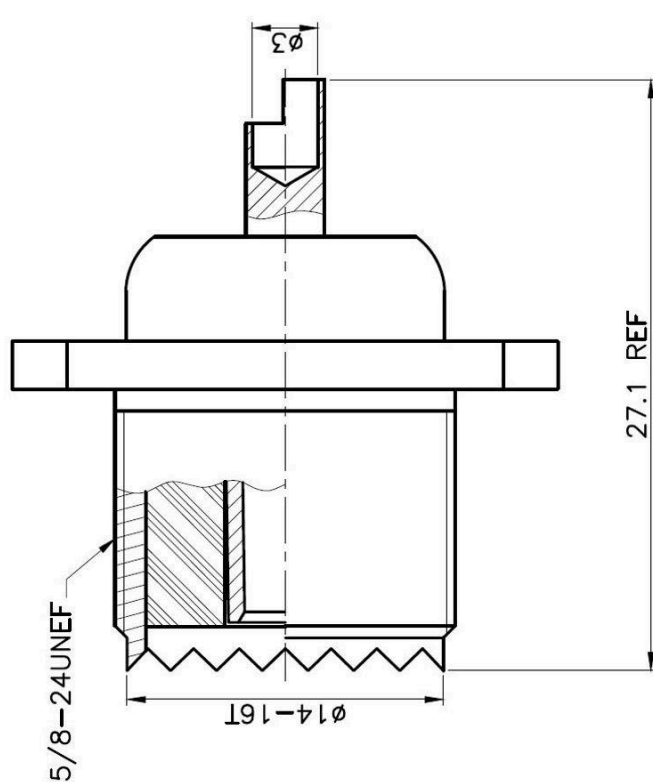
| Size | Dimension |
|--------|--------------------|
| Length | 1.07 in (27.1 mm) |
| Width | 0.996 in (25.3 mm) |
| Height | 0.996 in (25.3 mm) |
| Weight | 0.7 oz (22 g) |

Environmental Specifications

| Temperature | Spec |
|-----------------|-------------------|
| Operating Range | -65 to +165 deg C |

Compliance Certifications (see product page for current documentation)

Availability Click the following link (or enter part number in the “SEARCH” bar at the top of any page of the website) to obtain additional part information including price, inventory and certifications: <https://mgs4u.com/product/so-239-uhf-female-4-hole-panel-mount-solder-connector-for-0-405-inch-od-coax-7511-uhf/>



Max-Gain Systems, Inc.
 150 Dodd Street SE, Marietta, GA. 30060
 Phone: (770) 973-6251 | Fax: (678) 401-3854
 Website: www.mgs4u.com | E-Mail: sales@mgs4u.com

**TITLE: SO-239, UHF female 4 Hole Panel
 Mount for LMR-400, RG-213, RG-8**

DRAWING NO: 7511-UHF

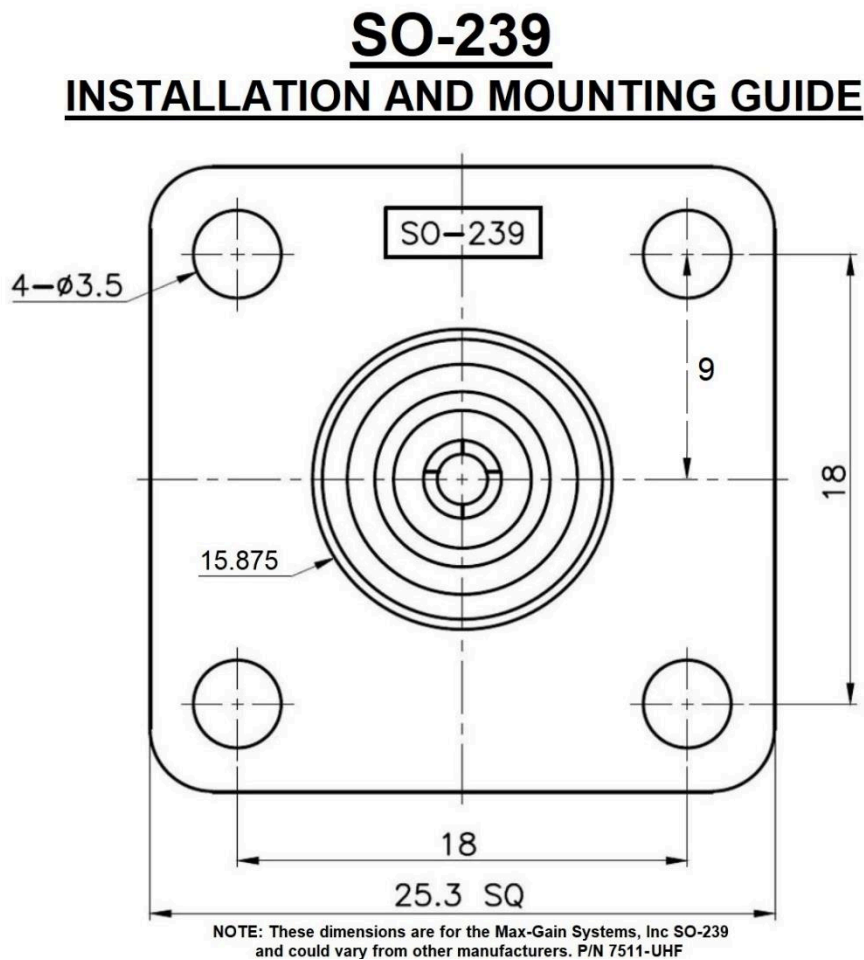
FILE NO :

| PART NO | | DATE | |
|---------------------------------------|------------|----------|-----|
| APPROVED | | DATE | |
| CHECKED | | DATE | |
| DRAWN | | DATE | |
| UNLESS OTHERWISE SPECIFIED TOLERANCES | | UNIT: mm | |
| 0.5-5 = ±0.2 | | SCALE: - | |
| 5-30 = ±0.4 | | | |
| 30-120 = ±0.6 | | | |
| 120-315 = ±1 | | | |
| 315-1000 = ±1.6 | | | |
| 1000-2000 = ±2.4 | | | |
| PIN | GOLD | 1 | QTY |
| INSULATOR | TEFLON | 1 | |
| BODY | ZINC ALLOY | 1 | |
| NO. DESCRIPTION | MATERIAL | FINISH | |

Installation Guide

We will begin by installing the SO-239 connector on a panel. These connectors can fit any coax type with a center conductor of .405 or less including but not limited to: RG-8, RG-11, RG-83, RG-213, RG-393, LMR-400, Belden 8237, Belden 8267, Belden 8268, Belden 9011, Belden 9913, RG-8X, RG-59, RG-6, RG-62, RG-223, LMR-240, Belden 7916A, Belden 8241, Belden 9258, RG-58, RG-58A/U, RG-142, RG-400, LMR-195, LMR-200, Belden 9201, Belden 8219, Belden 8259, Belden 7807, RG-174, RG-178, RG-188, RG-196, LMR-100A, LMR-100, LMR-110, and Belden 8216. Most coax types.

Mounting Diagram



Drilling a 5/8 inch (0.625") hole for the solder cup to fit through, and allow for distance between the chassis and that solder cup, then four (0.138 inch holes that are 0.708 inches apart, equidistant from the center hole. Using four screws that are 0.125 inch diameter will attach the SO-239 to your chassis or panel.