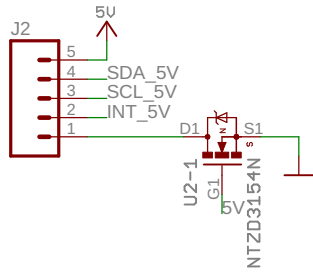
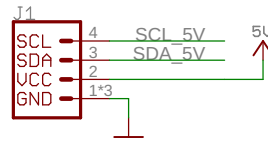


AS7343 Breakout (PIM707)

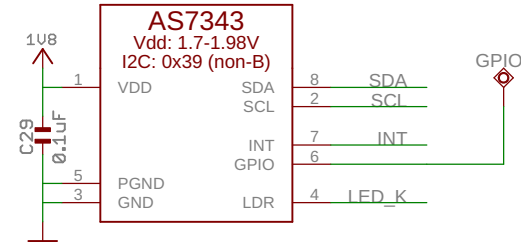
Breakout Garden header and reverse protection



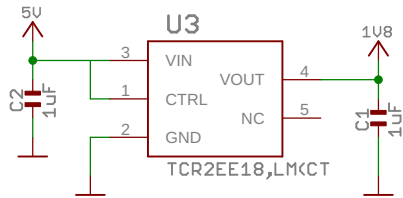
QW/ST Connector



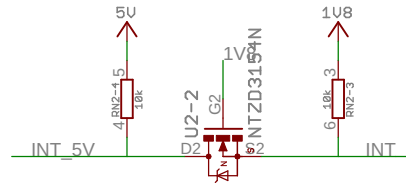
AS7343 Sensor



LDO



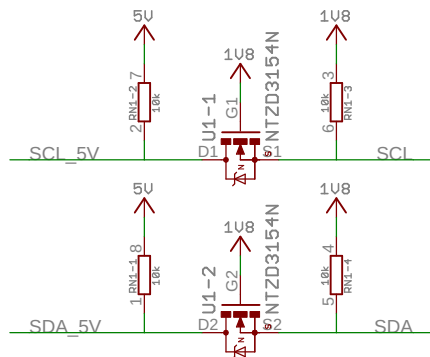
INT pin Level Shifter



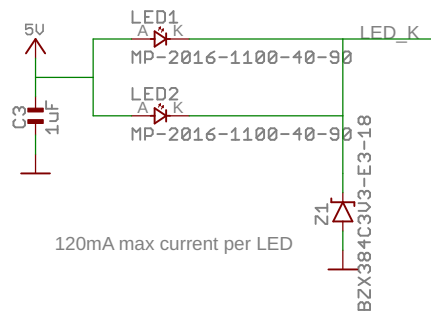
free resistors!



I2C Level Shifter



White LEDs
Colour temperature 4000K, CRI >90



120mA max current per LED