

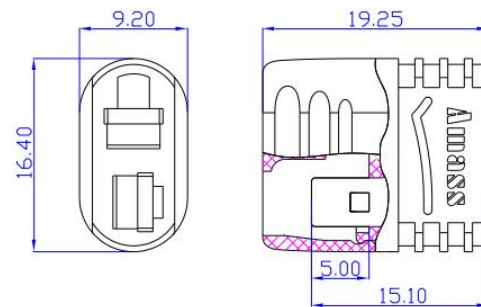


## Datasheet

# RS PRO AM-1015E Female connector

Stock number: 180-5392

EN



Section

## Material & Parameter

Recommend USE :Battery

Color: Purple Red

Metal Material: Brass Gold Plated

Plastic Material: PA

FR Level: UL94 V0

Cable Spec: 12AWG

Certification: ---

Contact Resistance: 0.45mΩ

Rated Voltage: DC 500V

Rated Current: 25A

Momentary Current: 50A

Use Times: 1000 TIMES

Use Temperature: -20°C to 120°C

**Remark:** Data sheet will change according with the test background