



JSL-303 Series
(3mm round ultra brightness LED diode)

Features:

- 1.Ultra brightness.
- 2.Choice of various viewing angles
- 3.IC compatible /Low current capability
- 4.Long life solid state reliability.
- 5. RoHs compliant.

Electrical and optical characteristics(Ta=25 ° c)

Part Number	Dice material And color	Lens color	Peak Wavelength	Vf(V) Typ	Iv(mcd)			Viewing Angle 2 θ 1/2
					Min	Typ	Max	
JSL-303URC-S	AlGaInP /Ultra Red	Water Clear	625nm	2.0	1500	2500	3000	26°
JSL-303URC-U	AlGaInP /Ultra Red	Water Clear	625nm	2.0	3000	4000	5000	26°
JSL-303UYC-S	AlGaInP/Ultra Yellow	Water Clear	590nm	2.0	1500	2500	3000	26°
JSL-303UYC-U	AlGaInP/Ultra Yellow	Water Clear	590nm	2.0	3000	4000	5000	26°
JSL-303UGC	AlGaInP /Ultra Green	Water Clear	574nm	2.0	200	500	800	26°
JSL-303UAC	AlGaInP /Ultra Amber	Water Clear	610nm	2.0	2000	2500	3000	26°
JSL-303UBC-S	InGaIn/Ultra Blue	Water Clear	470nm	3.2	3000	4000	5000	26°
JSL-303UBC-U	InGaIn/Ultra Blue	Water Clear	470nm	3.2	5000	7500	8000	26°
JSL-303BGC	InGaIn/Bluish Green	Water Clear	505nm	3.2	5000	6000	8000	26°
JSL-303PGC	InGaIn/Pure Green	Water Clear	525nm	3.2	8000	10000	30000	26°
JSL-303UVC	InGaIn/Super Violet	Water Clear	400nm	3.2	200	350	500	26°
JSL-303UPC	InGaIn/Super Pink	Water Clear	-----	3.2	2000	2500	3000	26°
JSL-303UWC	InGaN/Ultra White	Water clear	6000K	3.2	8000	10000	15000	26°
JSL-303WWC	InGaN/Warm White	Water clear	3000K	3.2	8000	10000	15000	26°

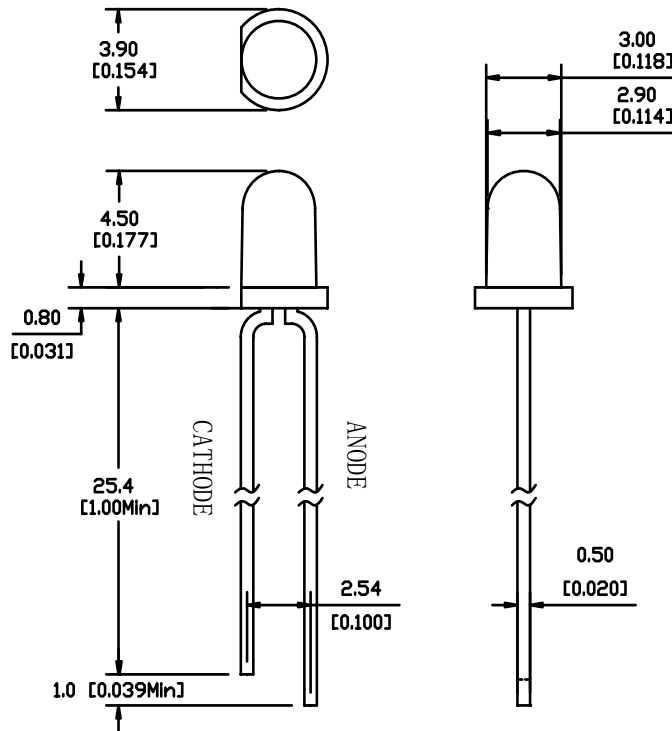


JSL-303 Series

Absolute Maximum Ratings at Ta=25°C

Parameter	Symbol	UR	UY	UG	UA	UB	BG	PG	UV	UP	UW	WW	Unit
Forward Current	I _F	25	25	25	25	30	30	30	30	30	30	30	mA
Power Dissipation	P _d	60	60	60	60	100	100	100	100	100	100	100	mW
Reverse Voltage	V _R	5											V
Peak Forward Current (Duty 1/10 @1KHZ)	I _{PF}	150											mA
Operation Temperature	T _{OPR}	-40 to +80											°C
Storage Temperature	T _{STG}	-40 to +85											°C

Package configuration:



- 1.All dimensions are millimeters (inches)
- 2.Tolerance is ±0.25mm(.010") unless otherwise noted.