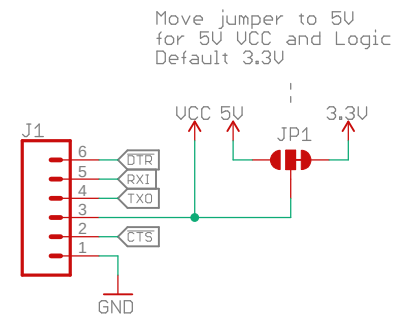
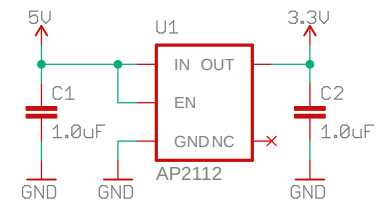


Serial Connection



3.3V Regulation



sparkfun



Released under the Creative Commons
Attribution Share-Alike 4.0 License
<https://creativecommons.org/licenses/by-sa/4.0/>



TITLE: Serial-Basic-CH340C-and-USBC

Design by: N. Seidle

REV:
v10

Date: 12/6/2018 10:32 AM

Sheet: 1/1