



150 Dodd Street SE
Marietta, GA. 30060

Phone: 770-973-6251
Fax: 678-401-3854

Email: info@mgs4u.com
Website: www.mgs4u.com

RP-SMA male to SMA male Adapter



Technical Data Sheet

This RP-SMA male to SMA male adapter is one of several thousand RF products available from Max-Gain Systems, Inc. This adapter is a between series coaxial adapter.

This adapter is made from a Solid Brass body that is precision machined and plated with Gold for superior performance and value. This RP-SMA male to SMA male adapter has a PTFE dielectric and a gold plated brass center pin. The RP-SMA male side provides the same threads as an SMA male and pins that are normally found in SMA female connections; RP-SMA connections are popular in Wi-Fi, WiMAX, and other computer applications. The SMA male side's plug and interior threads provide a sub-miniature and tight-locking connection for use at higher frequencies.

Material Specifications

RP-SMA male to SMA male Adapter

Part Number 7850

| Description | Material | Plating |
|-------------|----------|---------|
| Center Pin | Brass | Gold |
| Insulator | PTFE | White |
| Body | Brass | Gold |

Mechanical Specifications

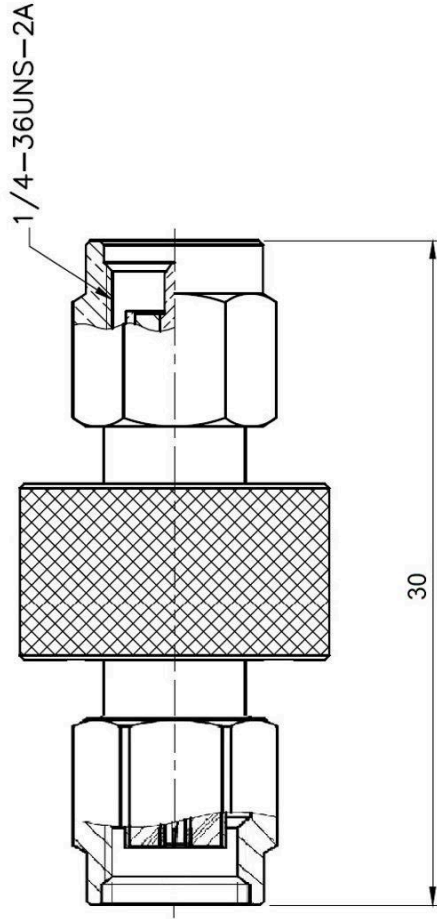
| Size | Dimension |
|--------|-----------------|
| Length | 1.17 in (30 mm) |
| Width | 0.43 in (11 mm) |
| Height | 0.43 in (11 mm) |
| Weight | 0.28 oz (8 g) |

Environmental Specifications

| Temperature | Spec |
|-----------------|-------------------|
| Operating Range | -65 to +165 deg C |

Compliance Certifications (see product page for current documentation)

Availability Click the following link (or enter part number in the “SEARCH” bar at the top of any page of the website) to obtain additional part information including price, inventory and certifications: <https://mgs4u.com/product/rp-sma-male-to-sma-male-adapter-7850/?v=7516fd43adaa>



Max-Gain Systems, Inc.
 150 Dodd Street SE, Marietta, GA, 30060
 Phone: (770) 973-6251 | Fax: (678) 401-3854
 Website: www.mgs4u.com | E-Mail: sales@mgs4u.com

TITLE: RP-SMA male to SMA male Adapter
 DRAWING NO: 7850
 FILE NO :

| | | |
|---------------------------------------|----------|------|
| UNLESS OTHERWISE SPECIFIED TOLERANCES | PART NO | DATE |
| 0.5-5 = ±0.2 | APPROVED | DATE |
| 5-30 = ±0.4 | CHECKED | DATE |
| 30-120 = ±0.6 | DRAWN | DATE |
| 120-315 = ±1 | UNIT: mm | |
| 315-1000 = ±1.6 | SCALE: - | |
| 1000-2000 = ±2.4 | | |

| NO. | DESCRIPTION | MATERIAL | FINISH | QTY |
|-----|-------------|----------|--------|-----|
| | PIN | BRASS | GOLD | |
| | INSULATOR | TEFLON | WHITE | |
| | BODY | BRASS | GOLD | |
| | | | | |