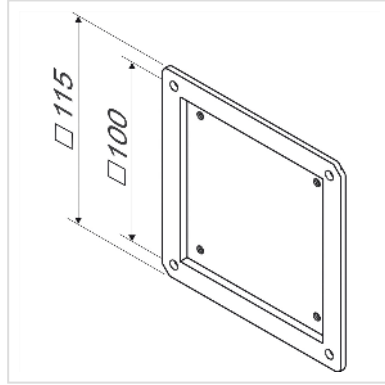


ROLINE VESA Adapter, black

Product No.	17.03.1100
Manufacturer	ROLINE
Manufacturer No.	17.03.1100
EAN (single piece)	7611990155361



- Accommodates standard VESA compliant monitors (75 mm / 100 mm)

Technical specifications

Manufacturer	ROLINE
Product group	LCD-Monitor arms
Product type	VESA Adapters
Colour	black
Fixing	VESA 75 to VESA 100
Number of monitors	1
VESA 75 x 75 mm	Yes
VESA 100 x 100 mm	Yes
Material group	metal
Technical particularity	fixation screws
Weight	318 g