

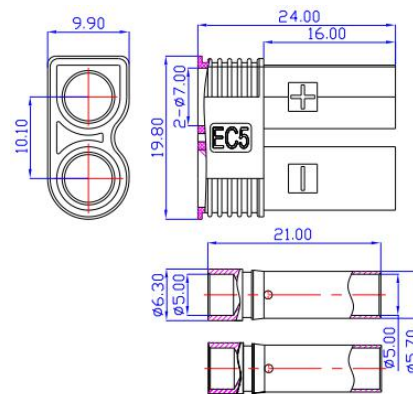


## Datasheet

# RS PRO EC5 Female connector

Stock number: 180-5398

EN



Section

## Material & Parameter

Recommend USE: Battery

Color: Blue

Metal Material: Brass Gold Plated

Plastic Material: PA

FR Level: UL94 V2

Cable Spec: 10AWG

Certification: ---

Contact Resistance: 0.40mΩ

Rated Voltage: DC 500V

Rated Current: 40A

Momentary Current: 90A

Use Times: 1000 TIMES

Use Temperature: -20°C to 120°C

**Remark:** Data sheet will change according with the test background