

# LED Indicator Light

## Features

- Projecting LED or with reflector
- Low power consumption
- Solder pin terminals
- Used within circuit boards and electronic designs



## Specification

|                       |                             |
|-----------------------|-----------------------------|
| Insulation Resistance | 100 MOhm min. @ 500 VDC     |
| Dielectric Strength   | 200 VAC for 1 min.          |
| Operating Temperature | -25 ... 70 °C               |
| Circuit Voltage       | 2 VDC                       |
| Hand Soldering        | 350 +/- 5°C for 3 sec. max. |
| LED Colour            | Green                       |
| Forward Current       | 20 mA                       |
| Luminous Intensity    | 25 mcd                      |
| Peak Wavelength       | 568 nm                      |

### Pull Force Between Terminal & Base

|             |                  |
|-------------|------------------|
| Normal Type | 2 kgf for 1 min. |
| Sealed Type | 5 kgf for 1 min. |

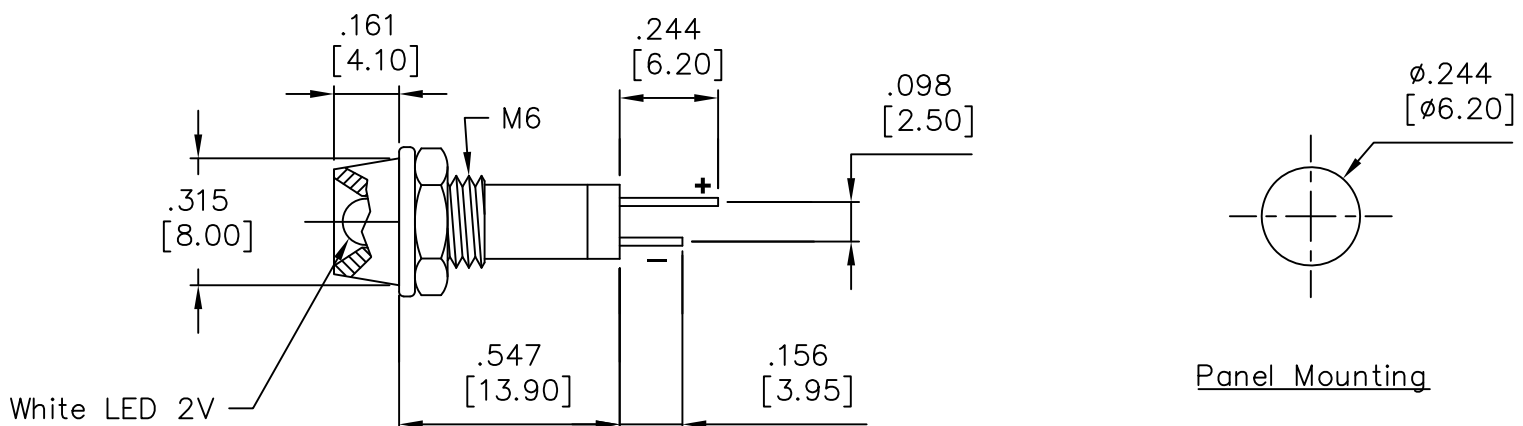
### Pull Force Between Base & Body

|             |                  |
|-------------|------------------|
| Normal Type | 2 kgf for 1 min. |
| Sealed Type | 5 kgf for 1 min. |

## Material Specification

|            |                                      |
|------------|--------------------------------------|
| Body       | Polycarbonate UL94V-0 or Acrylic     |
| Base       | Glass Fiber Polyamide, UL94-V0       |
| Illuminant | LED                                  |
| Terminal   | Copper Alloy, Tin Plated over Nickel |
| Washer     | Polyamide, UL94-V0 or Iron Hoop      |
| Nut        | M10x0.75P or M15x1P Iron             |

## Drawing



## Art Nr.

RND 210-00673