



ENGLISH

Datasheet

RS Article:1854763

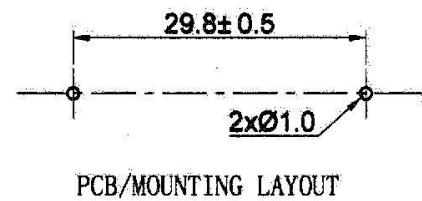
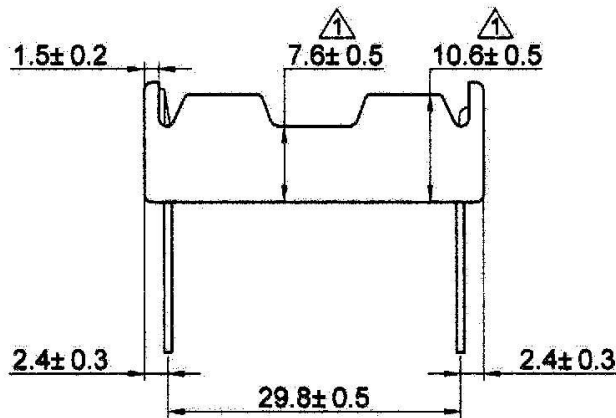
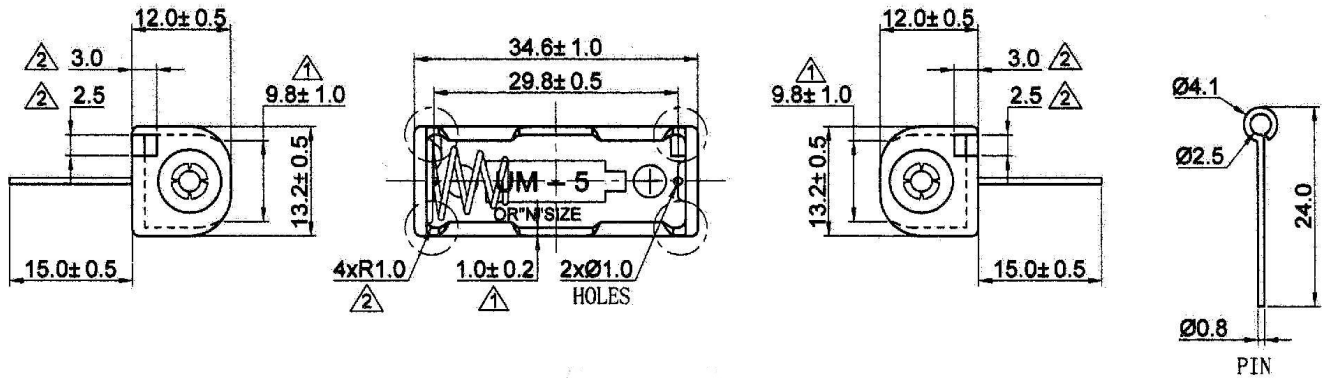
RS Pro Battery Holder



1. Preface:

The purpose of this product specification is to Dimension and drawing

N x1 with PIN



SPECIFICATION

- (1) ITEM NO: 1854763
- (2) HOLDER MATERIAL: P.P. RESIN, BLACK COLOR
- (3) WITH PIN: Ø0.8X24MM, BRASS NICKEL PLATED
- (4) SPRING: 0.5MM 65C SPRING STEEL NICKEL PLATED
- (5) RIVET: BRASS NICKEL PLATED
- (6) RoHS COMPLIANT

Measure: mm