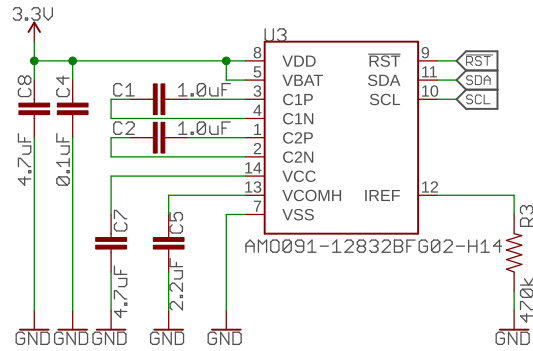
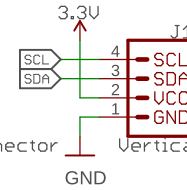
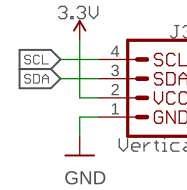
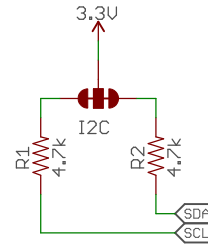


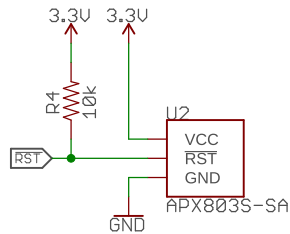
## OLED Display AM0091-12832BFG02-H14



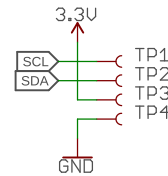
## I2C Connectors



## Soft Start Circuit - APX803S-SA



## Testpoints



Released under the Creative Commons

Attribution Share-Alike 4.0 License

<https://creativecommons.org/licenses/by-sa/4.0/>



TITLE: OLED Display

Design by: NOA Labs  
Revised By: Elias Santistevan

REV:  
v11

Date: not saved!

Sheet: 1/1