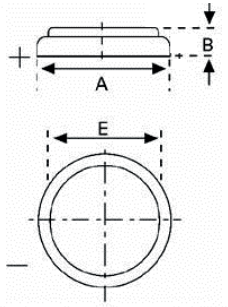


CR 2032



Type Number 6032
 Designation IEC CR 2032
 System Li-Manganese dioxide/
 Organic Electrolyte

UL Recognition MH 13654 (N)
 Nominal Voltage 3 V
 Typical Capacity C 230 mAh (Load 5,6 kOhm,
 at 20°C down to 2 V)

Weight (approx.) 3 g
 Volume 0,95 ccm
 Coding Date of Manufacturing
 Month/Year

Temperature Ranges min. max.
 Storage -55°C 70°C
 Discharge -20°C 70°C¹

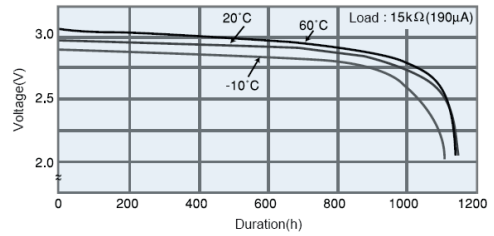
Dimensions min. max.
 Diameter (A) 19,70 20,00
 Height (B) 2,90 3,20
 Shoulder Diameter [E] 16,00

Typical Capacities (at 20°C)

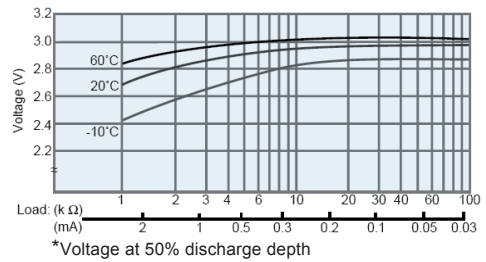
Discharge Type	Load	End Voltage: 2,0 V
Continuous 24 h/d, 7 d/w Current [µA]	5600 Ω	Time: 460 h Capacity: 230 mAh Energy: 645 mWh

Performance Data

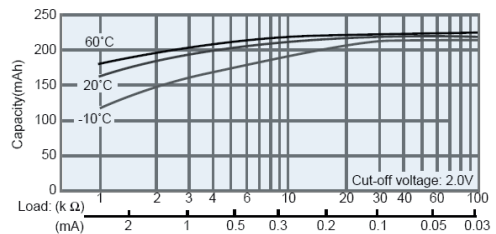
Temperature Characteristics



Operating Voltage vs. load resistance*



Capacity vs. load resistance



¹ Contact VARTA if the application is intended to be outside the range of -20°C to +70°C.

² depending on environmental condition and energy consumption

- Self-discharge rate < 1% at room temperature
- Storage life > 10 years
- Operating life² > 10 years

CR Button

Type	Order No.	A	B	C	D	E	F	G	H	I	K	L	Fig. No.	Remarks
CR 2025	6025 101 501	20.0	2.5	0.2	-	-	-	-	-	-	-	-	8	-
CR 2025 ST	6025 201 501	21.3	1.0	10.0 ±0.2	1.0 ±0.3	3.0 ±0.5	20.3 ±0.15	-	1.0 ±0.3	4.5	-	-	9	tag 0.25 mm
CR 2025 SC STO	6025 301 501	20.0	-	-	-	2.8	20.3	-	-	-	10.0	4.0	10	tag 0.15 mm
CR 2025 BE PCBD	6025 401 501	20.0	1.0	10.0	10.0	2.8	17.8	7.3	10.0	4.5	11.4	-	11	tag 0.15 mm
CR 2032	6032 101 501	20.0	3.2	0.02	-	16.5	-	-	-	-	-	-	8	-
CR 2032 SC PCBD	6032 201 501	21.5	1.0	10.0	1.0 ±0.3	4.2	20.3	-	1.0	4.5	-	-	9	tag 0.25 mm
CR 2032 SC STO	6032 301 501	-	-	-	-	3.2	20.3	-	-	-	10.0	4.0	10	tag 0.15 mm
CR 2032 PCBD	6032 401 501	20.0	1.0	10.0	11.0	3.2	17.8	7.5	10.0	4.5	11.4	-	11	tag 0.25 mm
CR 2032 BE PCBS	6032 701 501	20.0	1.0	-	11.0	3.2	17.8	7.3	10.0	4.5	10.0	-	12	tag 0.20 mm
CR 2032 S WC ¹⁾	6032 101 013	20.7	-	-	-	5.5	30.0	-	-	-	96.0	2.0	13	tag 0.20 mm ²⁾
CR 2032 S STO	6032 101 012	20.0	7.0	2.8	5.0	3.8	-	-	-	-	-	-	14	-

Tag material: nickel plated sheet-steel. SLF: tip tinned.

¹⁾ using Molex 51021-03 connector (Other wire connectors and wire length are available on request.) ²⁾ in shrink sleeve with wire and connector

Custom made assemblies are available on request for large volume.

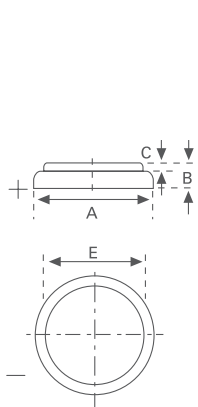


FIG. 8

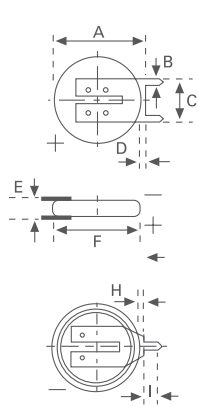


FIG. 9 SLF

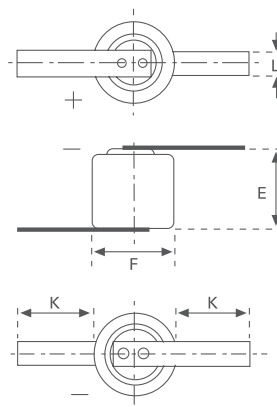


FIG. 10 LF

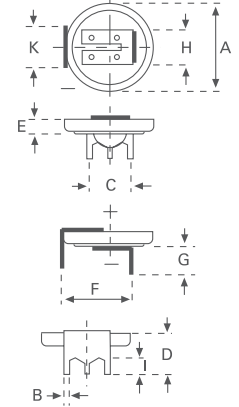


FIG. 11 PCB3

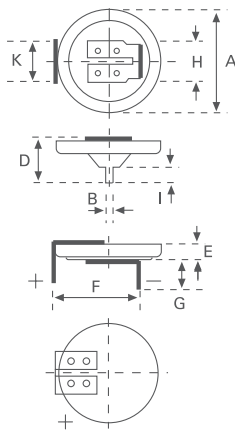


FIG. 12 PCB 2

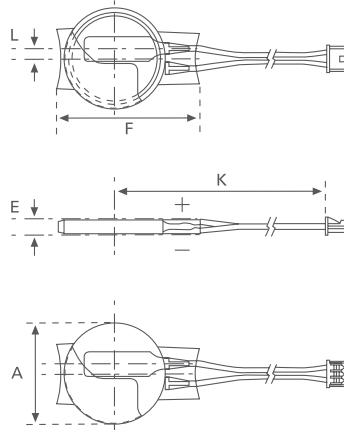


FIG. 13 WC

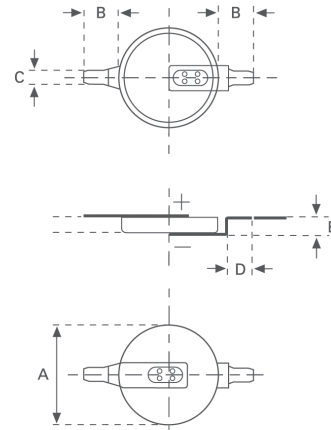


FIG. 14 SMT