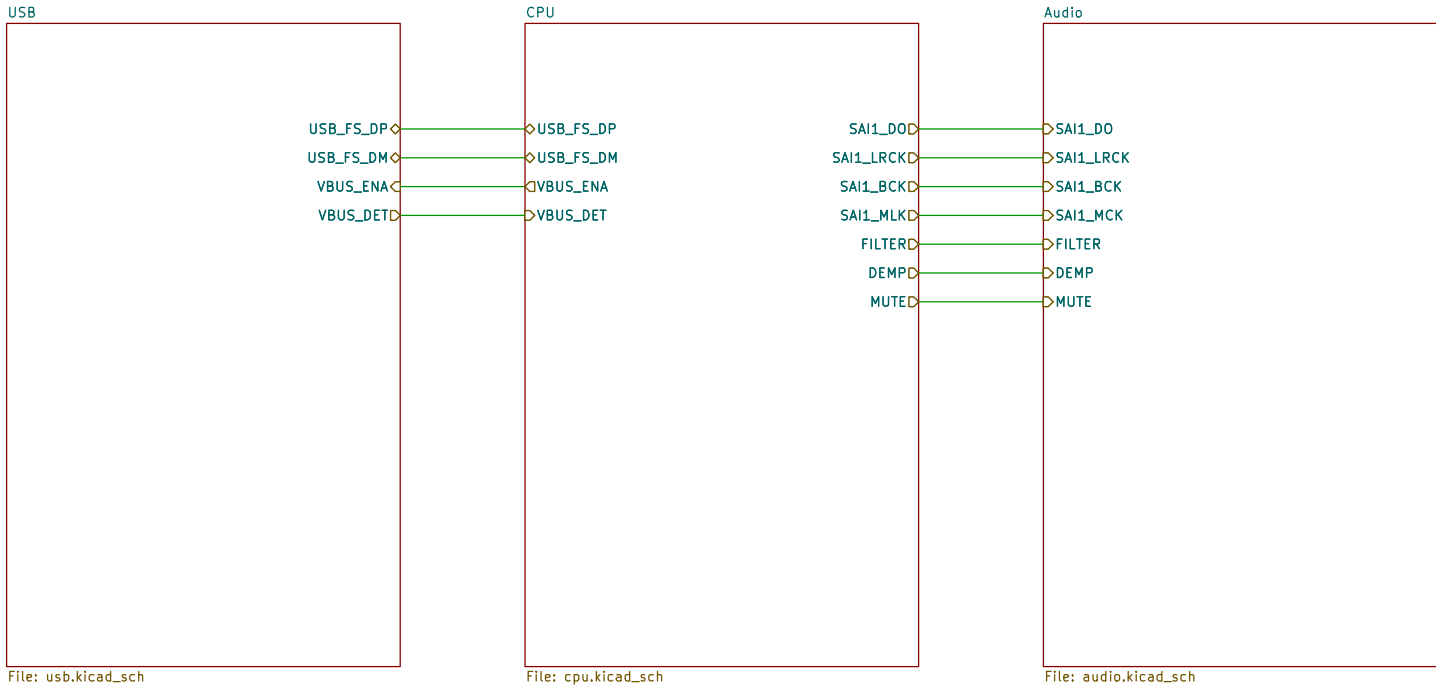


SparkFun Qwiic WAV Trigger Pro



Ordering Instructions



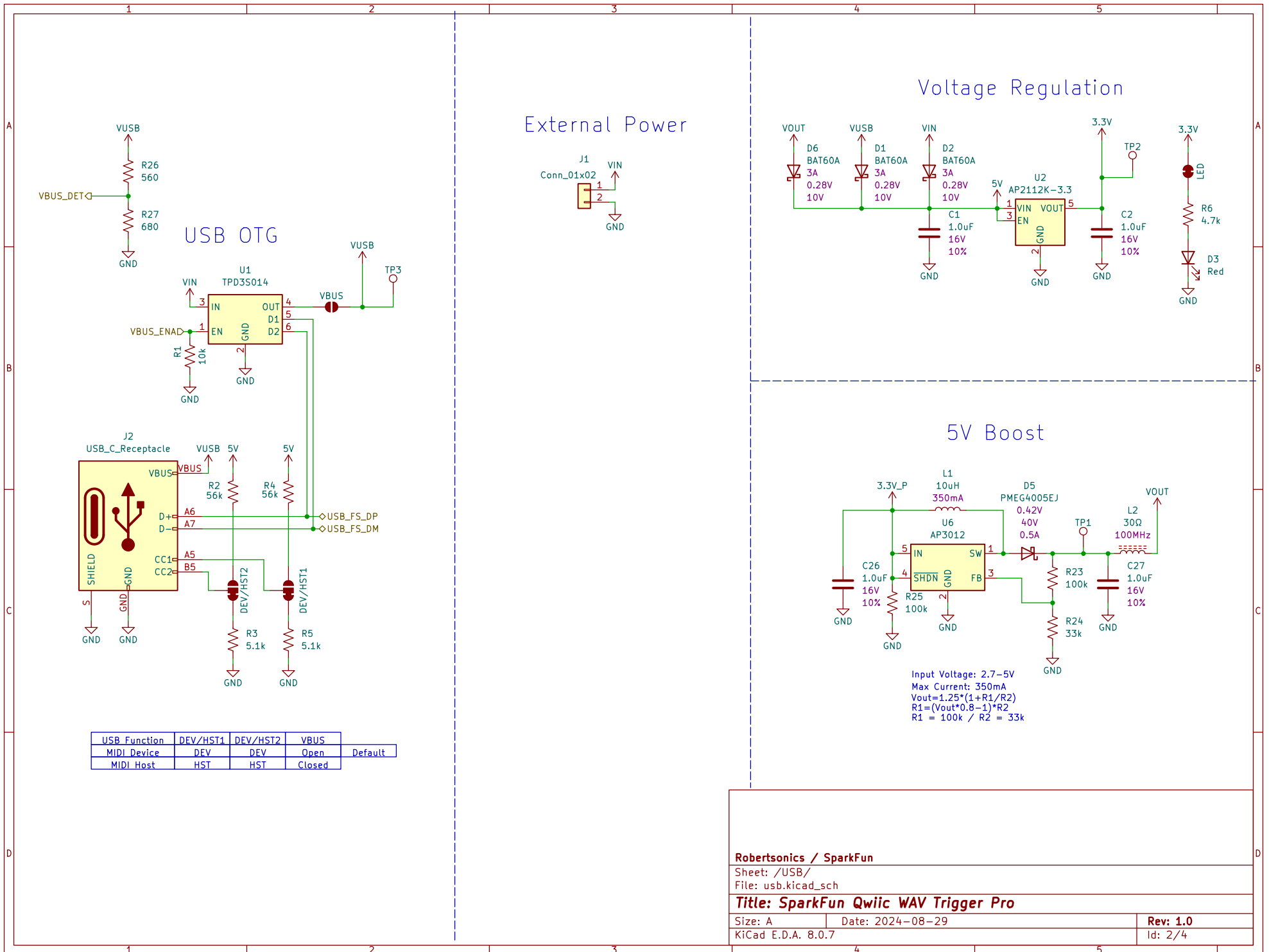
Robertsonics / SparkFun

Sheet: /
File: SparkFun_Qwiic_WAV_Trigger_Pro.kicad_sch

Title: **SparkFun Qwiic WAV Trigger Pro**

Size: USLetter | Date: 2024-08-29
KiCad E.D.A. 8.0.7

Rev: 1.0
Id: 1/4



USB OTG

External Power

Voltage Regulation

5V Boost

USB Function	DEV/HST1	DEV/HST2	VBUS	
MIDI Device	DEV	DEV	Open	Default
MIDI Host	HST	HST	Closed	

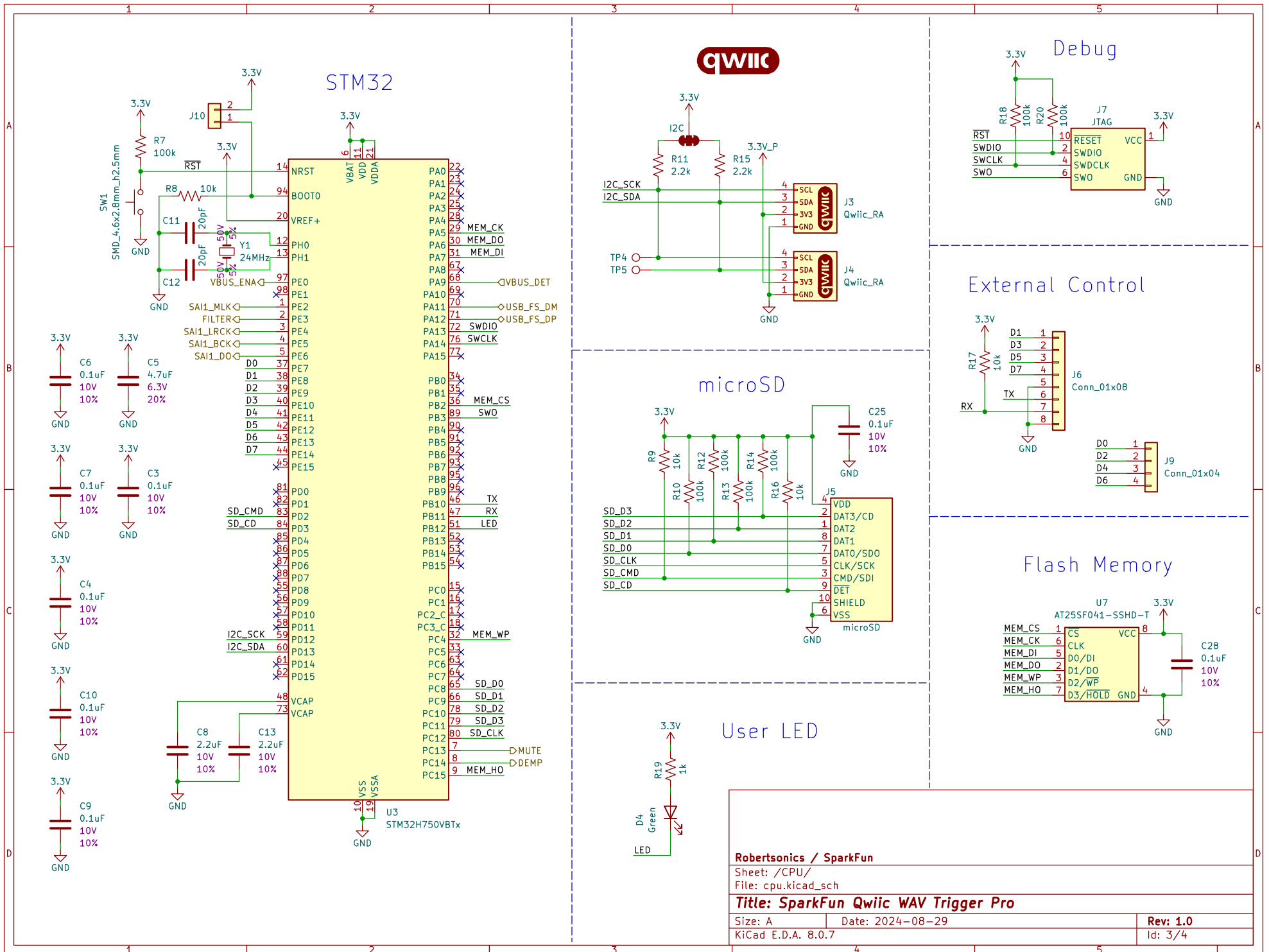
Robertsonics / SparkFun

Sheet: /USB/
File: usb.kicad_sch

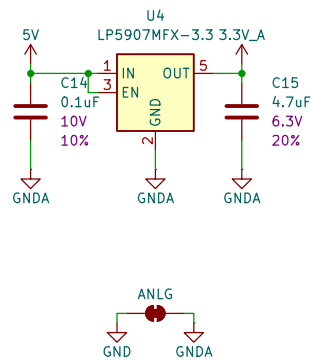
Title: SparkFun Qwiic WAV Trigger Pro

Size: A Date: 2024-08-29
KiCad E.D.A. 8.0.7

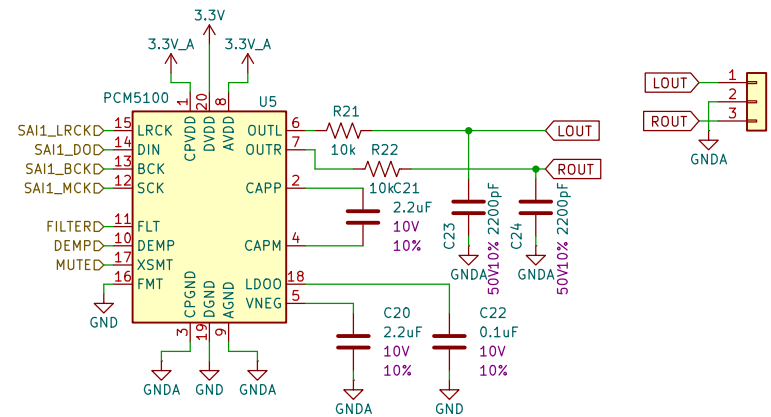
Rev: 1.0
Id: 2/4



Audio Regulator



Audio DAC



Robertsonics / SparkFun

Sheet: /Audio/
File: audio.kicad_sch

Title: SparkFun Qwiic WAV Trigger Pro

Size: A Date: 2024-08-29
KiCad E.D.A. 8.0.7

Rev: 1.0
Id: 4/4