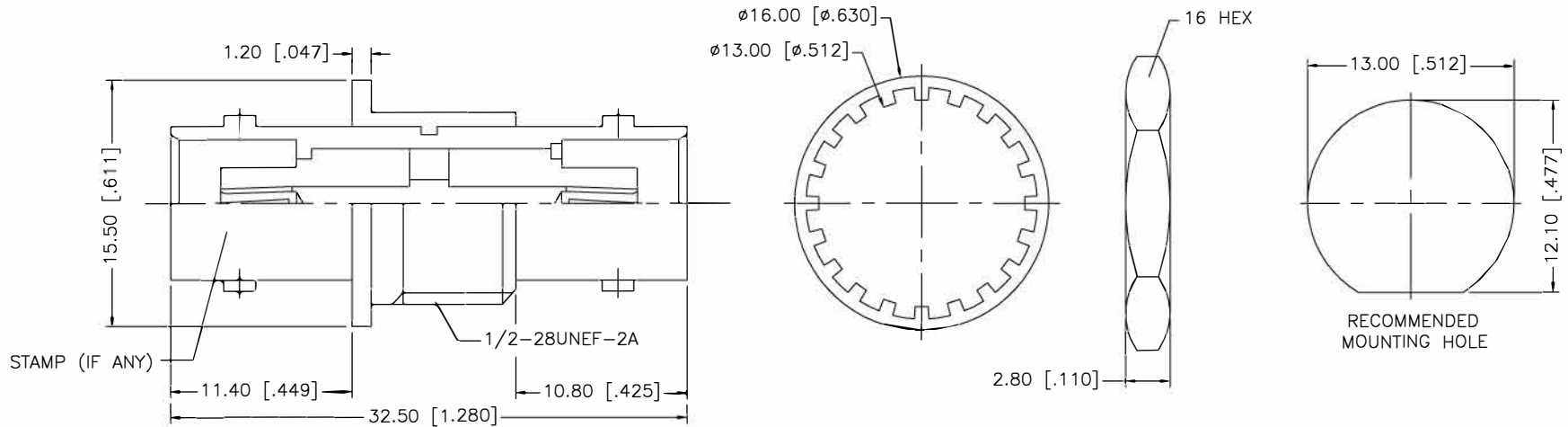


REV.	DATE	DESCRIPTION
A	04/05/03	UPDATE DRAWING FORMAT



NOTE:

1. MAX. PANEL THICKNESS = 5.5mm

				UNLESS OTHERWISE SPECIFIED DIMENSIONS ARE IN MILLIMETERS. DIMENSIONS IN [] ARE IN INCHES AND FOR CUSTOMER REFERENCE ONLY.	APPROVALS	DATE	Amphenol Connex
8					DRAWN	G.R.S.	
7	HEX NUT	BRASS	NICKEL	1	CHECKED		PART DESCRIPTION BNC FEMALE TO FEMALE BULKHEAD ISOLATED ADAPTER – 50 ohm
6	LOCK WASHER	BRASS	NICKEL	1	ISSUED		
5	LOCK RING	BRASS	NICKEL	1			PART NO. 112443
4	CONTACT PIN	PHOS. BRONZE	GOLD	1			
3	INSULATOR	DELTRIN	NATURAL	1			DWG. NO. 112443.DWG
2	INSULATOR	DELTRIN	WHITE	1	SHEET	1 OF 1	
1	BODY	BRASS	NICKEL	1	CAD FILE	C:/112/112443.DWG	REV. A
DESCRIPTION				MATERIAL	FINISH	QTY	SIZE A
DO NOT SCALE DRAWING						SCALE NA	