



150 Dodd Street SE  
Marietta, GA. 30060

Phone: 770-973-6251  
Fax: 678-401-3854

Email: [info@mgs4u.com](mailto:info@mgs4u.com)  
Website: [www.mgs4u.com](http://www.mgs4u.com)

SMA female to RP-SMA male Adapter



### Technical Data Sheet

This SMA female to RP-SMA male adapter is one of several thousand RF products available from Max-Gain Systems, Inc. This adapter is a between series coaxial adapter.

This adapter is made from a Solid Brass body that is precision machined and plated with Gold for superior performance and value. This SMA female to RP-SMA male adapter has a PTFE dielectric and a gold plated brass center pin. The SMA female side's jack and exterior threads provide a sub-miniature and tight-locking connection for use at higher frequencies. The RP-SMA male side provides the same threads as an SMA male and pins that are normally found in SMA female connections; RP-SMA connections are popular in Wi-Fi, WiMAX, and other computer applications.

### Material Specifications

SMA female to RP-SMA male Adapter

Part Number 8501

Description	Material	Plating
Center Pin	Brass	Gold
Insulator	PTFE	White
Body	Brass	Gold
Gasket	Silicone	Red

## Mechanical Specifications

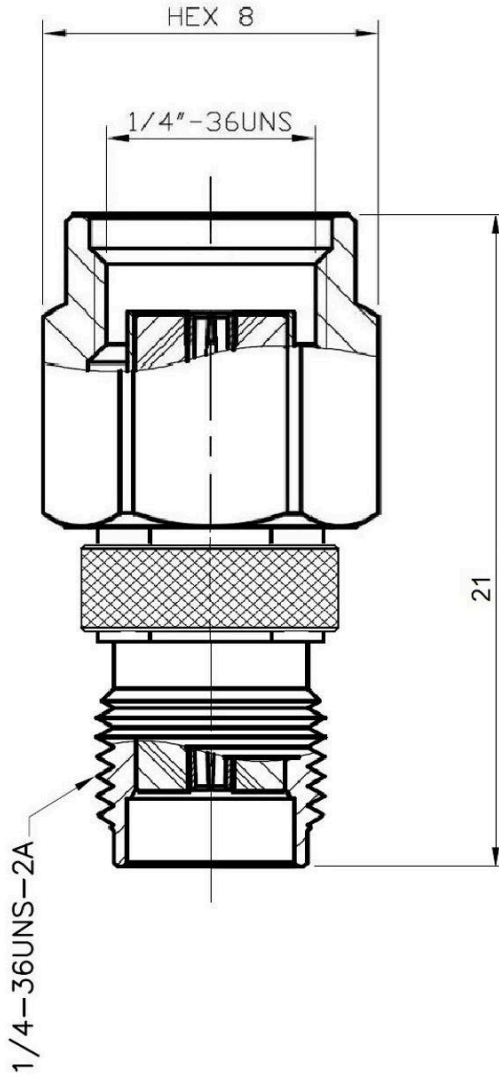
Size	Dimension
Length	0.83 in (21 mm)
Width	0.315 in (8 mm)
Height	0.315 in (8 mm)
Weight	0.1 oz (3 g)

## Environmental Specifications

Temperature	Spec
Operating Range	-65 to +165 deg C

## Compliance Certifications (see product page for current documentation)

**Availability** Click the following link (or enter part number in the “SEARCH” bar at the top of any page of the website) to obtain additional part information including price, inventory and certifications: <https://mgs4u.com/product/sma-female-to-rp-sma-male-adapter-8501/?v=7516fd43adaa>



# MGS MAX-GAIN SYSTEMS, INC.

Max-Gain Systems, Inc.  
 150 Dodd Street SE, Marietta, GA. 30060  
 Phone: (770) 973-6251 | Fax: (678) 401-3854  
 Website: www.mgs4u.com | E-Mail: sales@mgs4u.com

TITLE: SMA female to RP-SMA male Adapter  
 DRAWING NO: 8501  
 FILE NO :

		PART NO	DATE	
		APPROVED	DATE	
		CHECKED	DATE	
		DRAWN	DATE	
UNLESS OTHERWISE SPECIFIED TOLERANCES				
0.5-5 = ±0.2				
5-30 = ±0.4				
30-120 = ±0.6				
120-315 = ±1				
315-1000 = ±1.6				
1000-2000 = ±2.4				
UNIT: mm				
SCALE: .				
NO.	DESCRIPTION	MATERIAL	FINISH	QTY
	GASKET	SILICONE	RED	
	CONTACT PIN	BRASS	GOLD	
	INSULATOR	TEFLON	WHITE	
	BODY	BRASS	GOLD	
		MATERIAL	FINISH	