

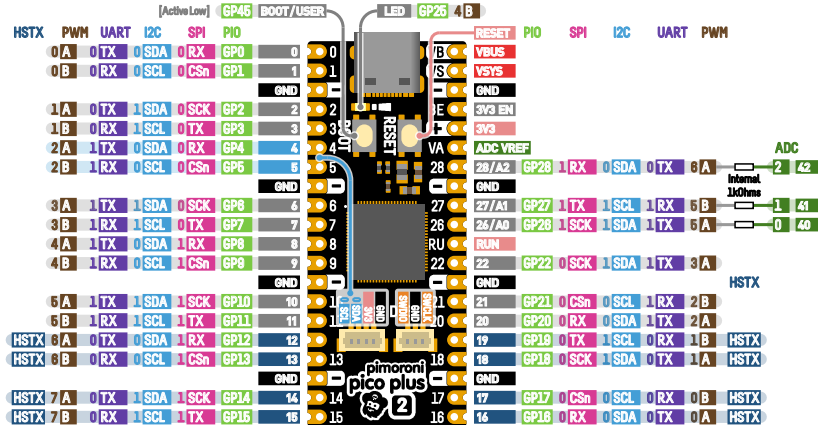
Pimoroni Pico Plus 2

Board Width 21.0mm

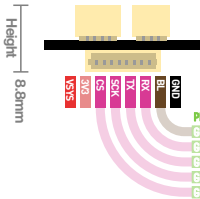
Pins and Dims

51.0mm

Board Length



- 51x21mm
- RP2350B with 16MB Flash
- 8MB PSRAM
- USB-C
- Mono LED
- Reset & User/Boot Button
- 40 pins
- QW/ST, SP/CE & Debug Connectors
- Input: 3V-5.5V



Function Name
KEY: 0 SDA Peripheral (I2C etc.)