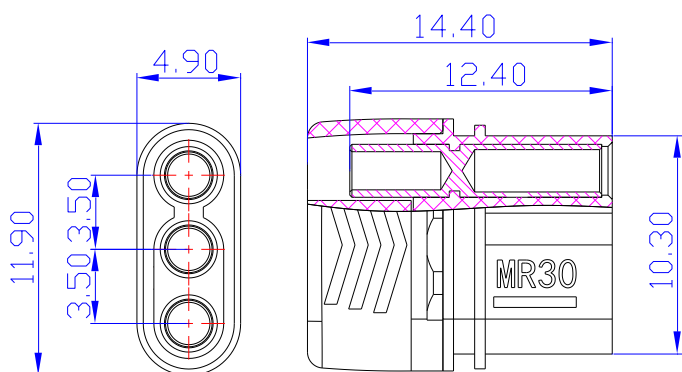


**AMASS**

(Item No): MR30-FB

(Drawing)



■ (Material & Parameter)

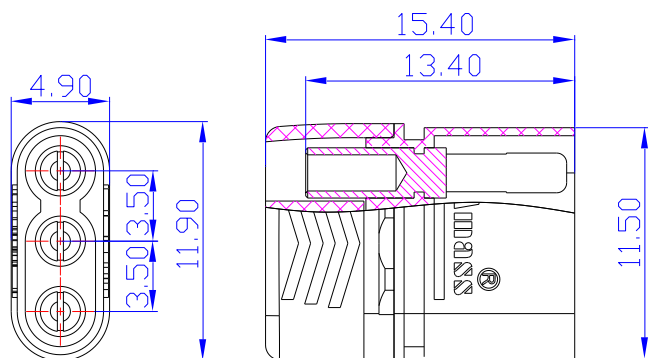
Item No.	MR30-FB	CR	0.70mΩ
COLOR	<b>3</b>		DC 500V
Metal Material	Brass Gold Plated	RC	15A
Plastic Material	PA	MC	30A
FR LEVEL	UL94 V0	USE TIMES	1000 TIMES
Recommend USE	CONTROLLER	Cable SPEC.	16AWG
CERTIFICATION	CE/UL	TEMPERATURE	-20°C to 120°C

★ (Data sheet will change according with the test background)

AMASS

(Item No): MR30-M

(Drawing)



■ (Material & Parameter)

Item No.	MR30-M	CR	0.70mΩ
COLOR	3		DC 500V
Metal Material	Brass Gold Plated	RC	15A
Plastic Material	PA	MC	30A
FR LEVEL	UL94 V0	USE TIMES	1000 TIMES
Recommend USE	MOTOR	Cable SPEC.	16AWG
CERTIFICATION	CE/UL	TEMPERATURE	-20°C to 120°C

★ (Data sheet will change according with the test background)