

Battery Holder

Features

- RoHS and REACH compliant
- Used to contain cells when inserted into battery compartments
- Polarity clearly marked for orientation
- Battery holder suitable for 1/2 AA batteries

Applications

- Computer memory, power backup systems
- Telecommunications
- Residential, industrial and commercial security systems
- PLC and industrial controls



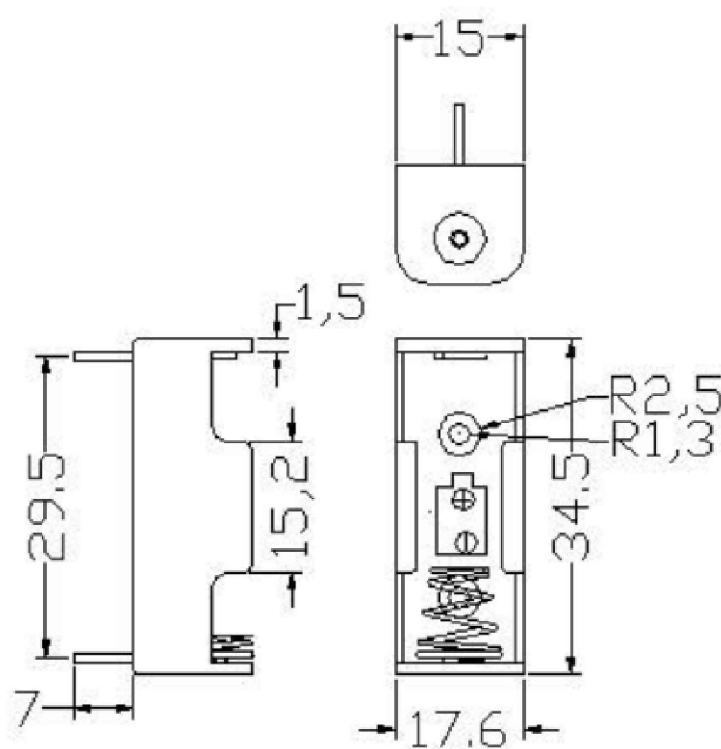
Specification

Number of Cells	1
Suitable for	1x 1/2 AA Battery
Battery Holder Type	Compartment
Connector Connection Method	Soldering
Mounting Type	Through Hole

Material Specification

Housing Material	PP
Contact Material	Nickel-Plated Copper

Drawing



Art Nr.
RND 305-00058