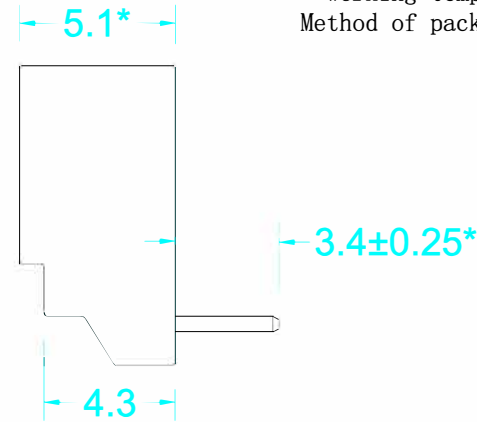
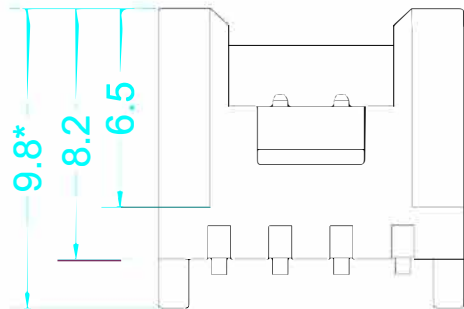
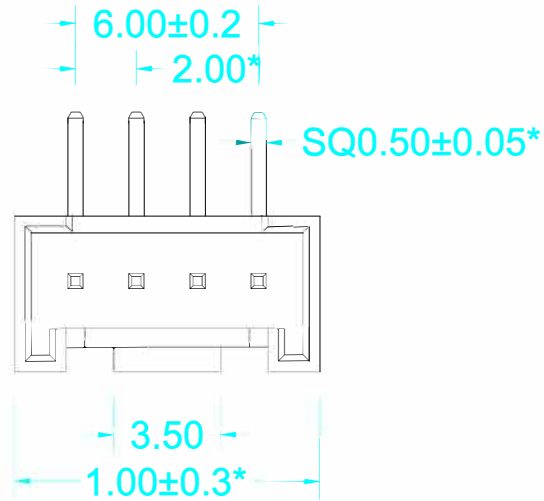



标记	版本	文件编号	变更前	变更后	日期	变更人
	A		/	新版图	2013.07.25	wzw



Performance characteristics:

- The dimensions with "\*" are key control size
- Main body part material  
Insulator: NYLON UL94V-0  
Contact: Brass
- Plating  
Contact: Tin-plated according to customer needs
- Electrical requirements:  
Current rating: 2 A  
Voltage rating: 250V  
Contact resistance:  $\leq 10 \text{ m}\Omega$   
Insulation resistance:  $\geq 1000 \text{ M}\Omega$   
Withstanding voltage: 800 V AC, 60s
- Environment specification  
Working temperature:  $-25^{\circ}\text{C} \sim 85^{\circ}\text{C}$   
Method of packing: 1000 pcs per bag

DRAWN	DATE	 SHENZHEN NS-TECH CO.,LTD.				
wzw	2013.07.25					
CHECKED	DATE	TITLE: 1125R-4P SPEC: 不打K 环保				
未注公差表 .X ±0.5 X. ±5° .XX ±0.3 .X ±3° .XXX ±0.1 .XX ±1°	APPROVED	DATE	PART NO.			
			CLIENT P/N			
			UNIT: mm	SCALE: free	⊕	☐
			FILE NO.: NS-1125-W00007	REVA	HC	